



Web Handling Product Brochure

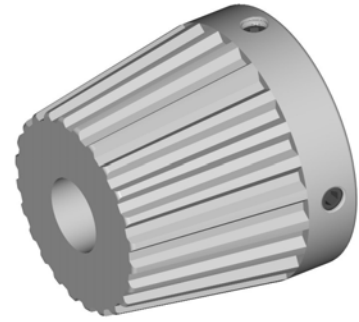
- Air Shafts & Chucks
- Anti-Wrinkle Systems
- Trim Removal Systems
- Safety Chucks
- Shaft Holders
- Unwind & Rewind Stands
- Rollers & Roller Assemblies
- Brakes
- Slitting

Converter Accessory Corporation

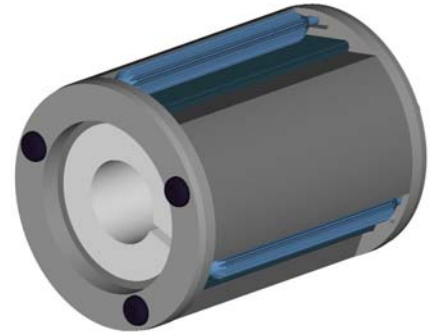
201 Alpha Road
Wind Gap, PA 18091-1279
Phone: 800-433-2413 / 610-863-6008
Fax: 800-709-1007 / 610-863-7818
www.converteraccessory.com
Email: cac@epix.net



COR-LOK® Air Shafts ▪ Air Chucks ▪ Mechanical Chucks ▪ Core Cones ▪ Core Adapters



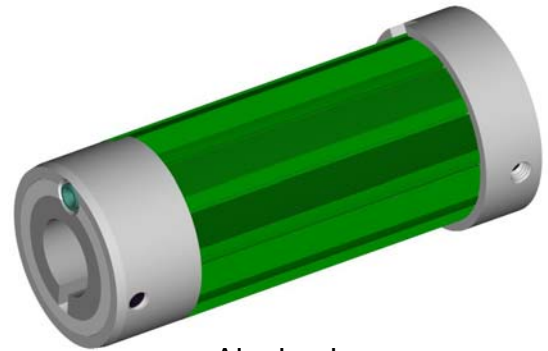
Core cones—great for crushed cores



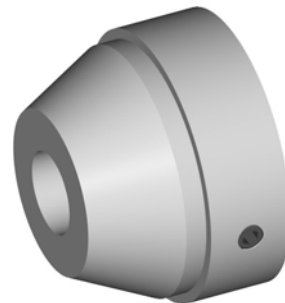
Auto-locking mechanical chucks



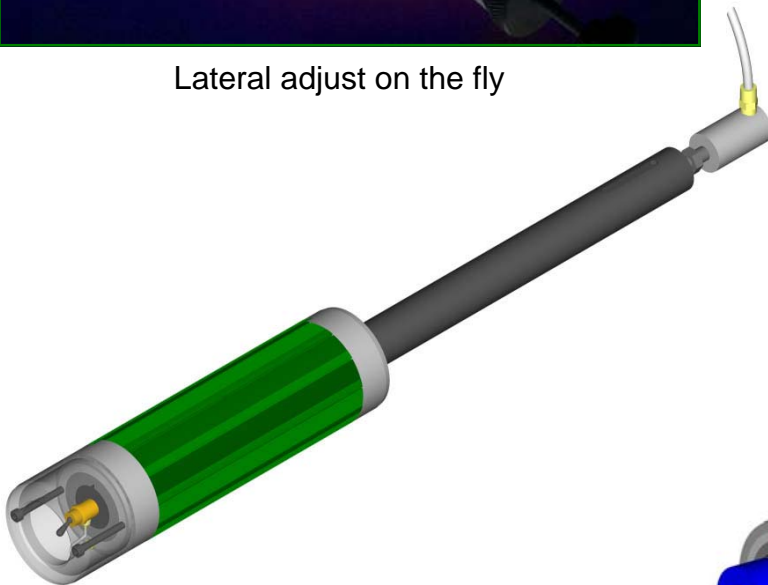
Lateral adjust on the fly



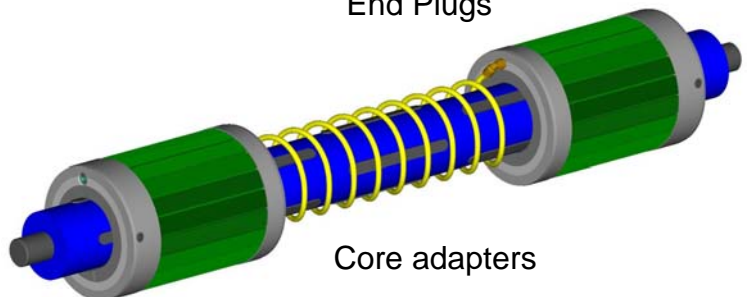
Air chucks



End Plugs



Easy, built-in inflate / deflate



Core adapters

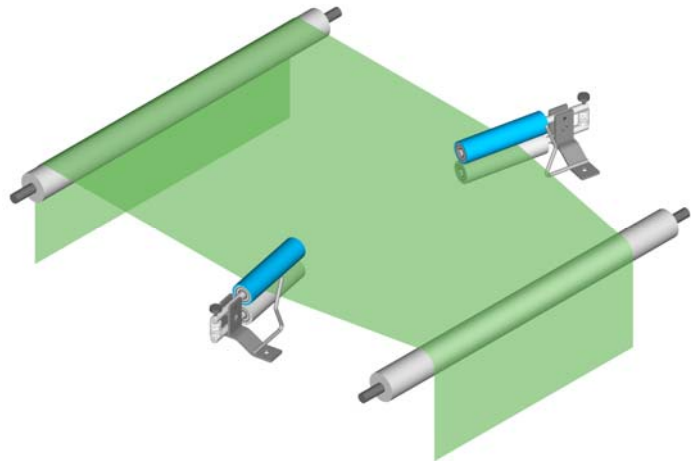
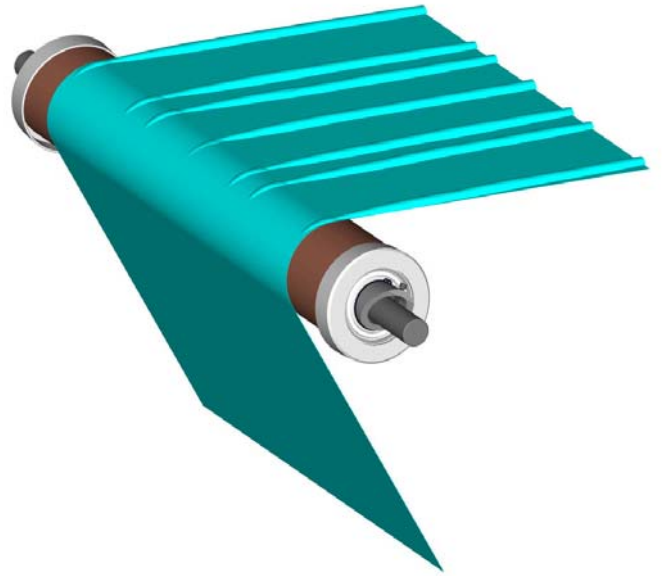
Anti-Wrinkle Systems

WrinkleSTOP® Smooth, No-Bow Rolls

Adjusta-Pull® Nip ▪ Scroll Roll Grooved Roll



WrinkleSTOP® Smooth Surface,
No-Bow Anti-Wrinkle Rolls



Scroll Roll Grooved Roll



Nip Type Anti-Wrinkle

FOX TrimAway® Pneumatic Trim Removal Systems ■ Components ■ Choppers ■ Portable Systems



Standard FOX Trim Removal System



FOX Runner—Portable System



Trim Chopper



Matrix Removal System



Venturi



Blower



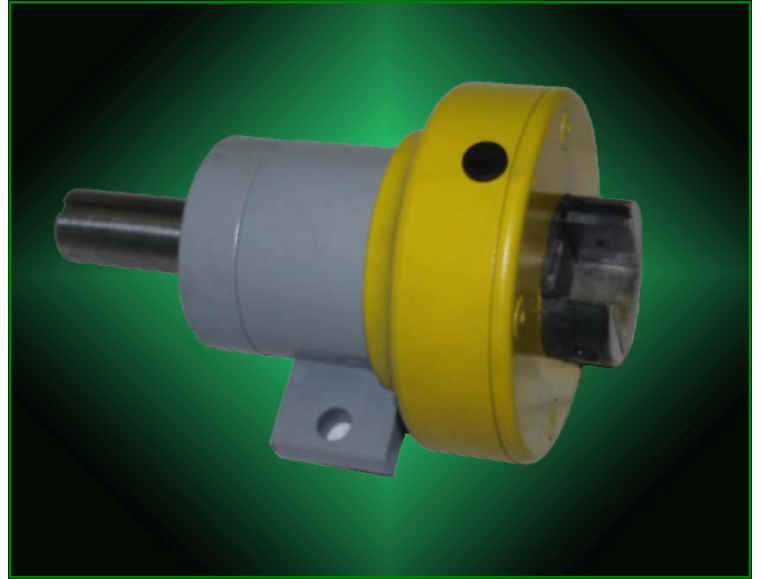
Pick Up Nozzles



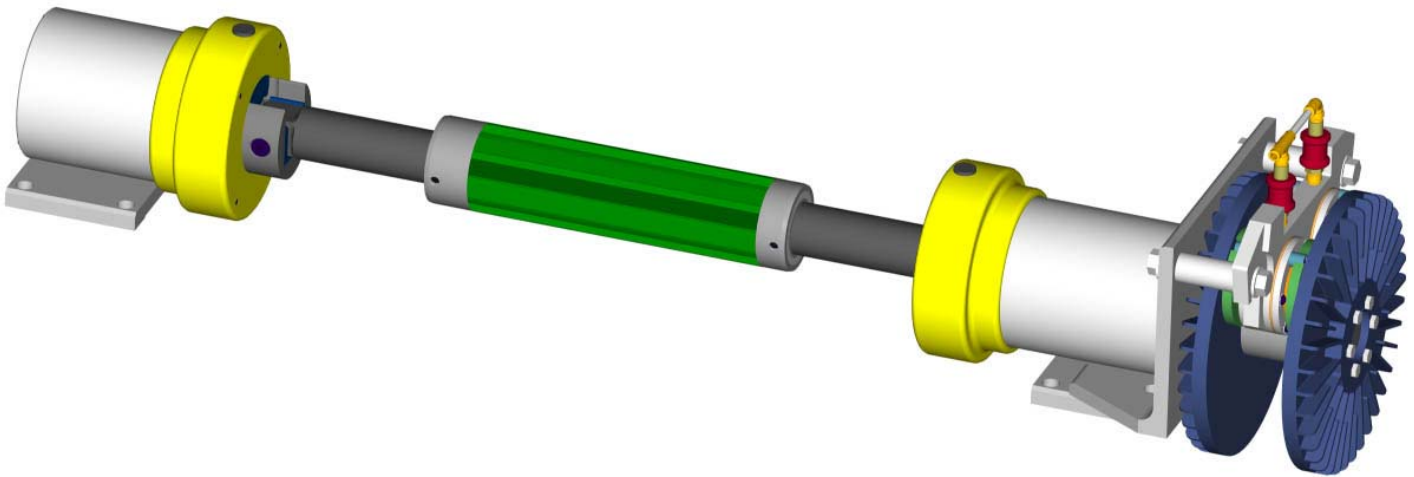
Y Connector

ShaftLok™ Safety Chucks

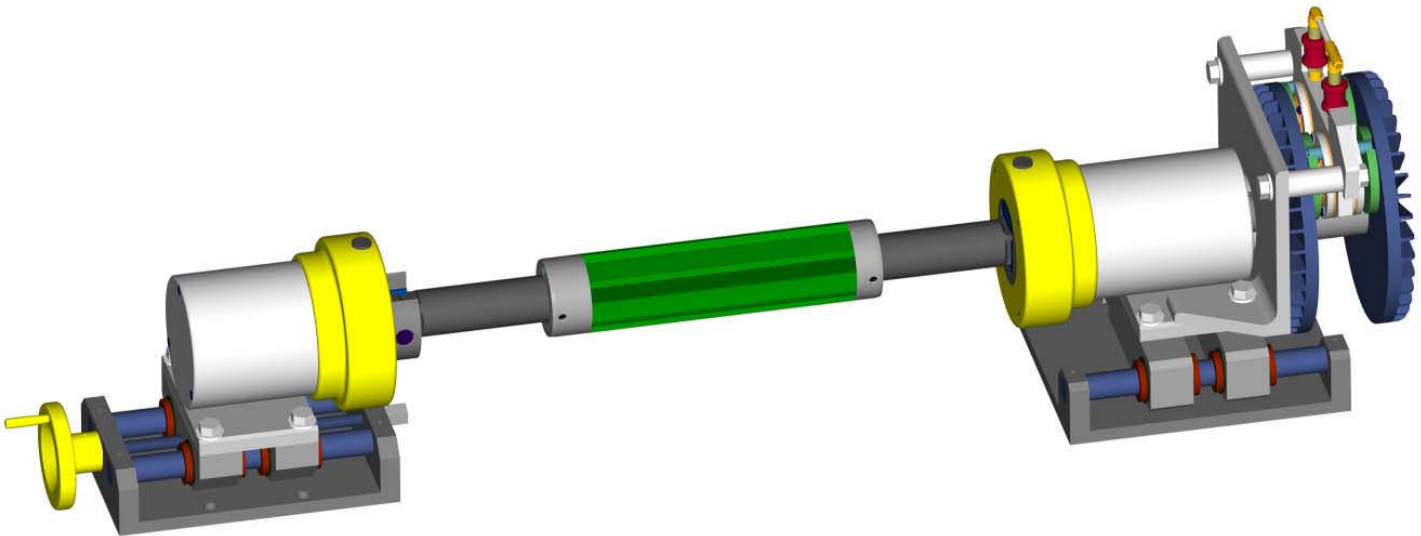
Unwind and Rewind Modules



Available in Standard duty, Medium duty and Heavy duty

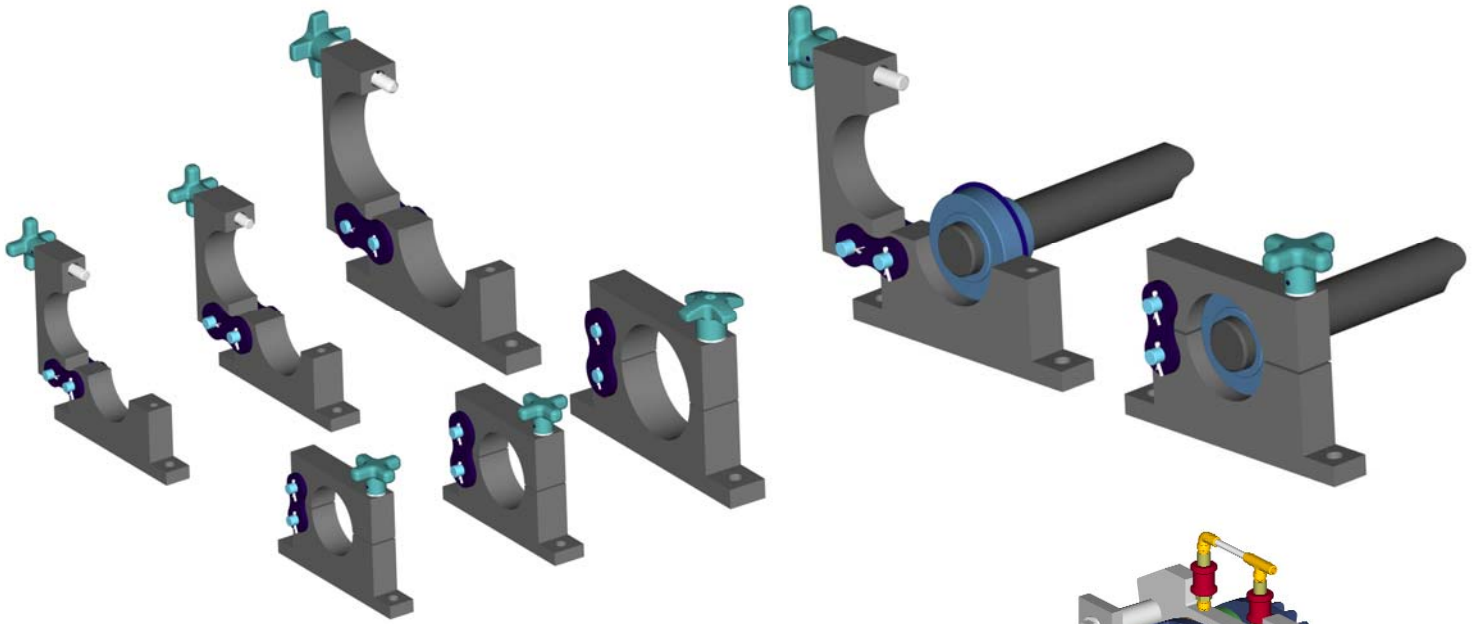


Unwind Module using ShaftLok Safety Chucks

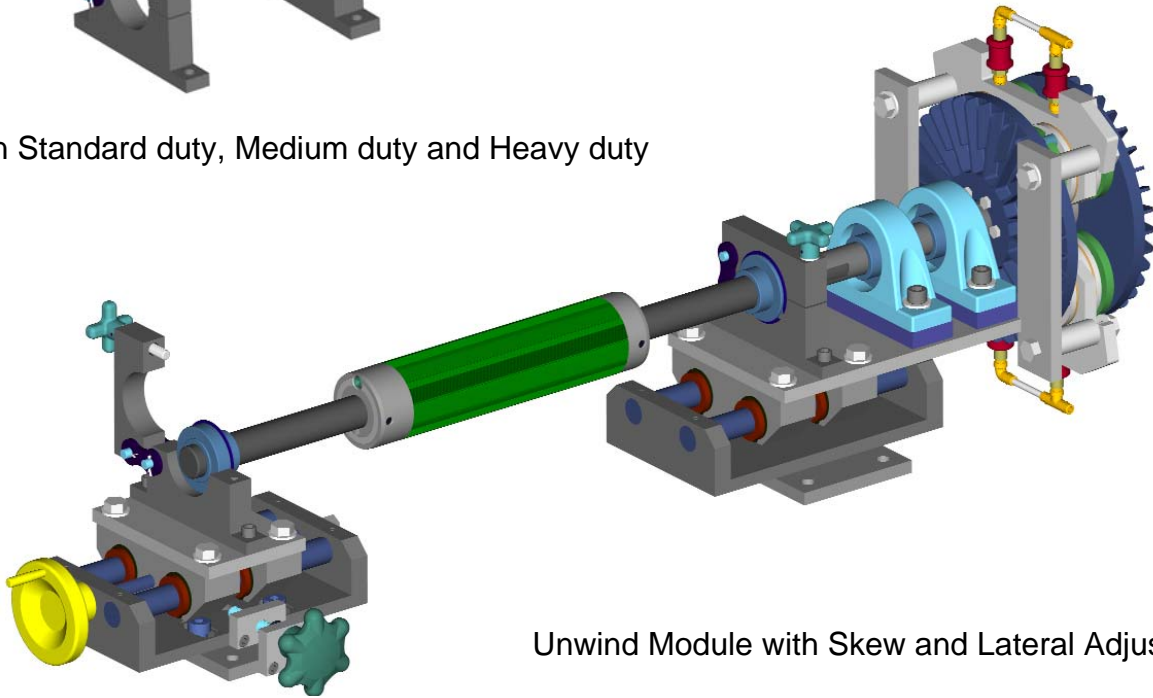


Unwind Module with Skew and Lateral Adjust

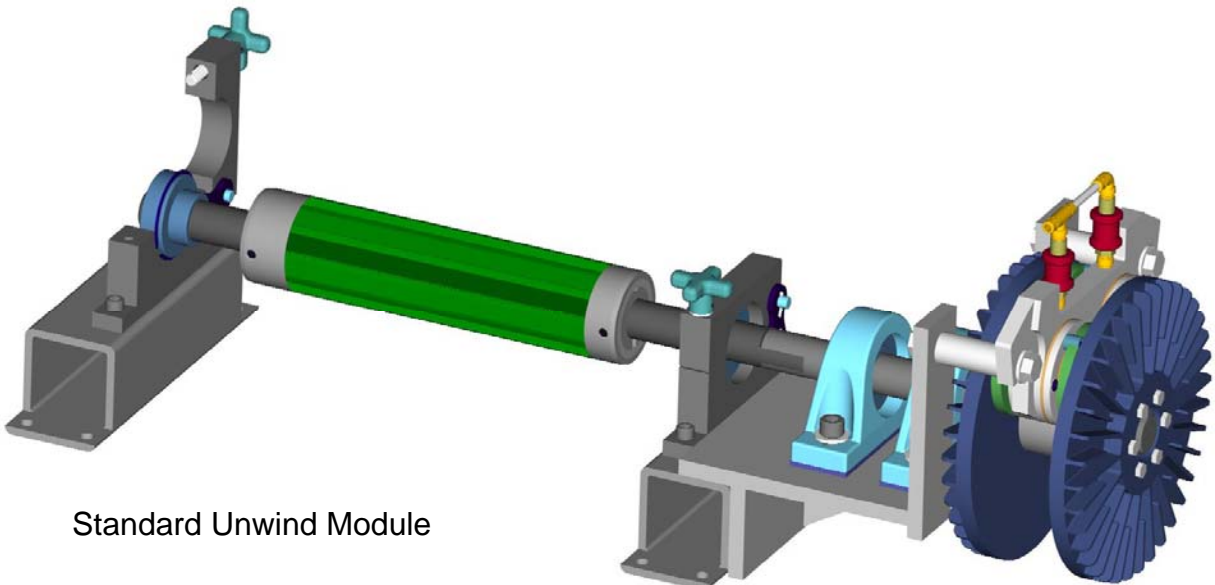
SimpLok™ Shaft Holders - Unwind and Rewind Modules



Available in Standard duty, Medium duty and Heavy duty

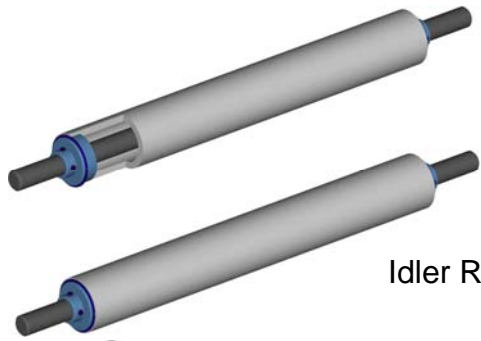


Unwind Module with Skew and Lateral Adjust

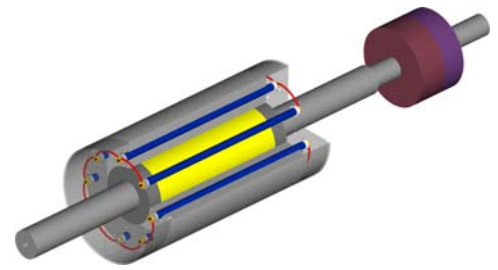


Standard Unwind Module

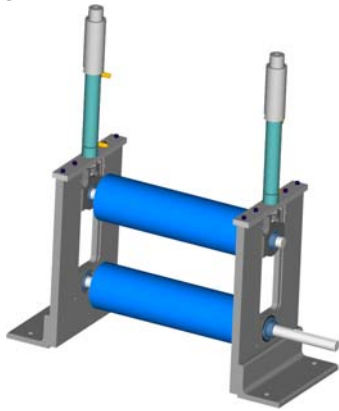
Rollers - Roller Assemblies



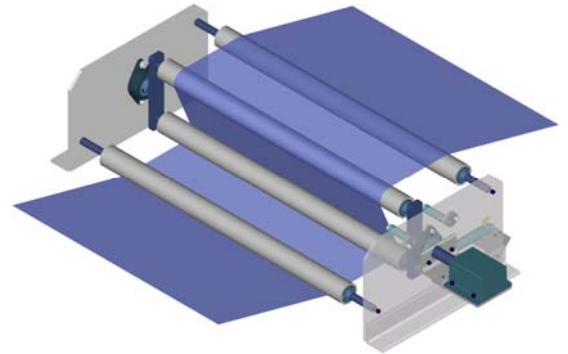
Idler Rollers



Heated Rollers

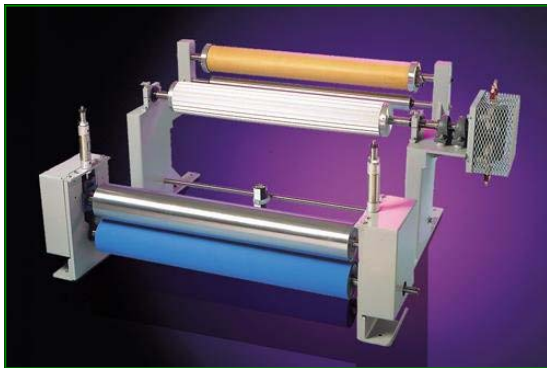


Nip Roll Assemblies



Dancer Roll Assemblies

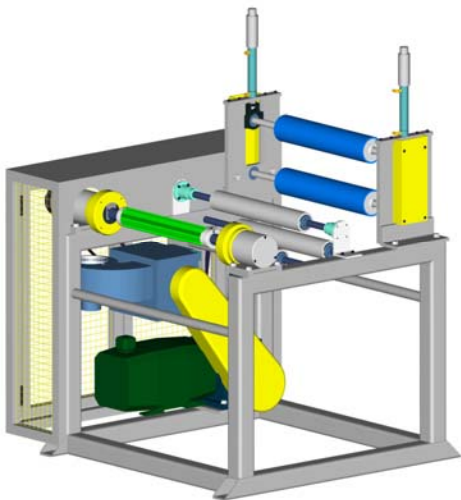
Custom Unwind and Rewind Stands



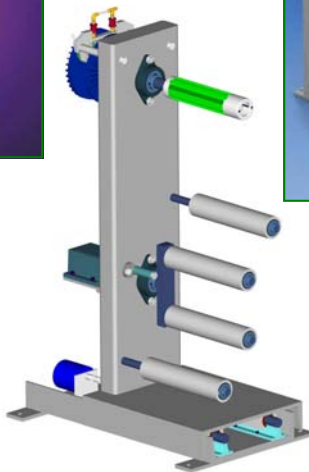
Unwind with Nip



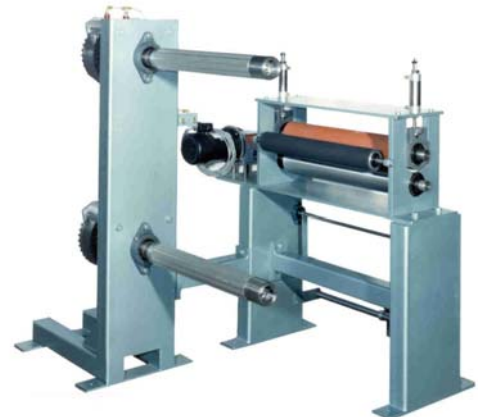
Unwind / S-wrap / Rewind



Rewind with Built-in Driven Nip Roll Assembly

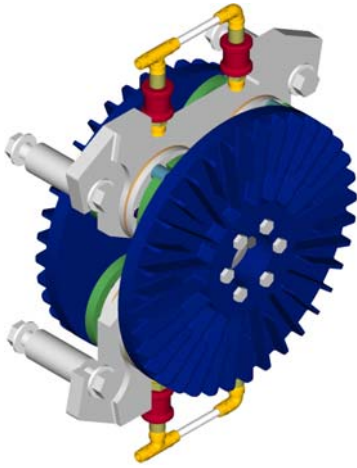


Cantilevered
unwind

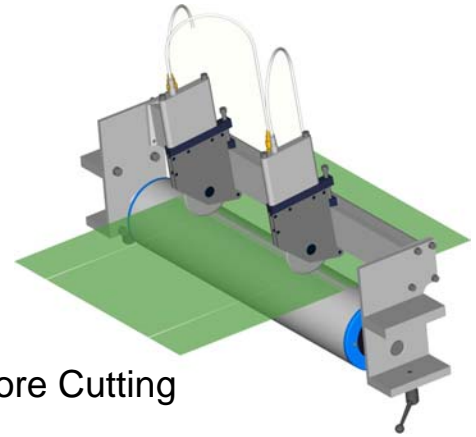


Dual Station, Cantilevered Unwind
with Nip Roll Assembly

Brakes ▪ Slitting



Air Brakes



Score Cutting

Strap Brakes



Shear Cut
Edge Trimmers

