



Converter Accessory Corporation

201 Alpha Road, Wind Gap, PA 18091

www.converteraccessory.com Email: cac@epix.net

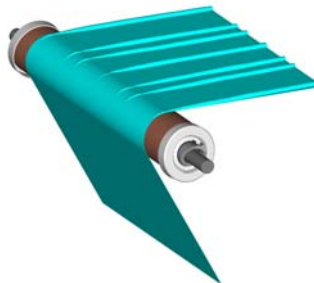
●800-433-2413 ●610-863-6008

Fax ●800-709-1007 ●610-863-7818

Web Handling Technology . . . CAC Engineered and Manufactured

Converter Accessory Corporation engineers and manufactures the web handling equipment you need to cut costs, increase production and provide higher quality products. CAC's products include:

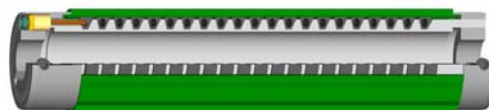
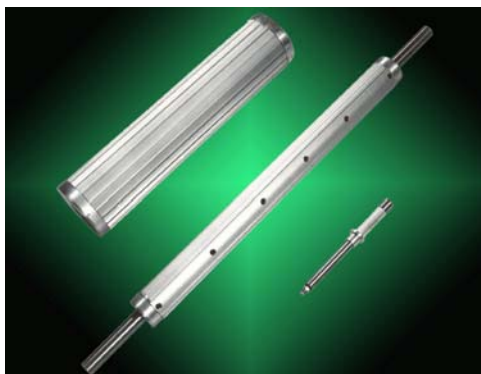
WrinkleSTOP® No-bow, smooth surface anti-wrinkle rolls



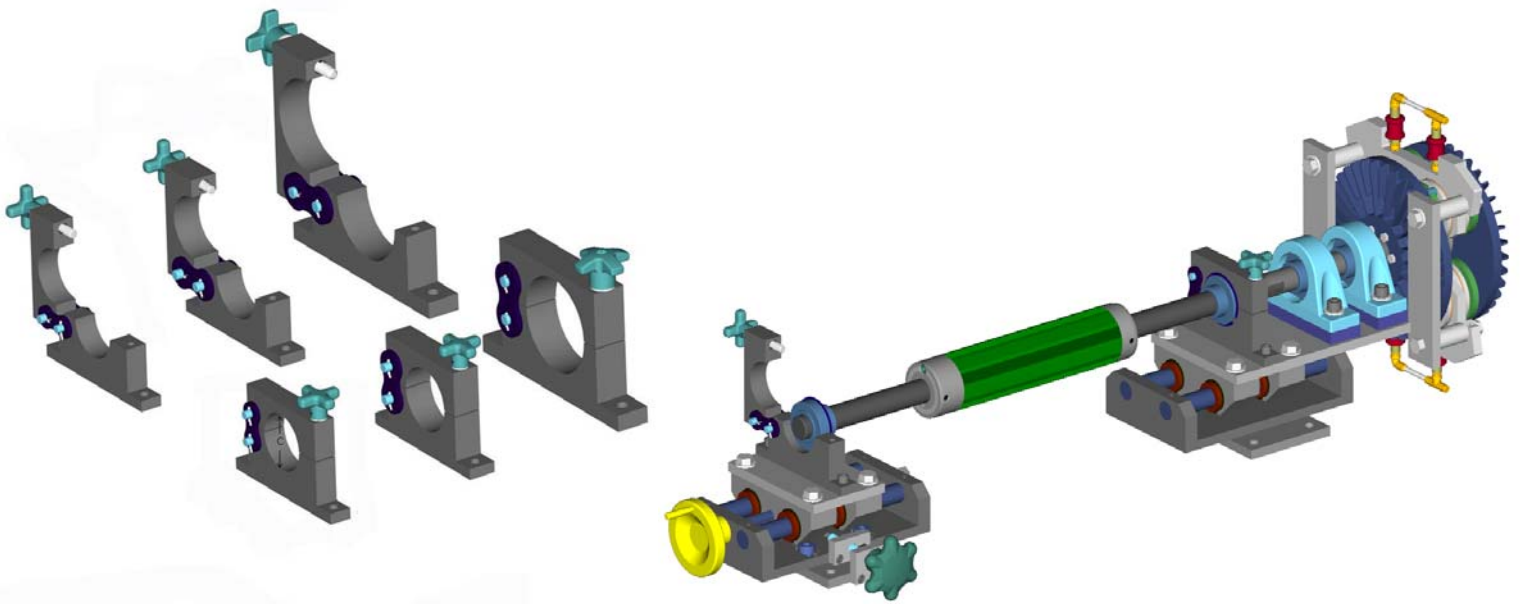
FOX TrimAway® pneumatic trim and matrix removal



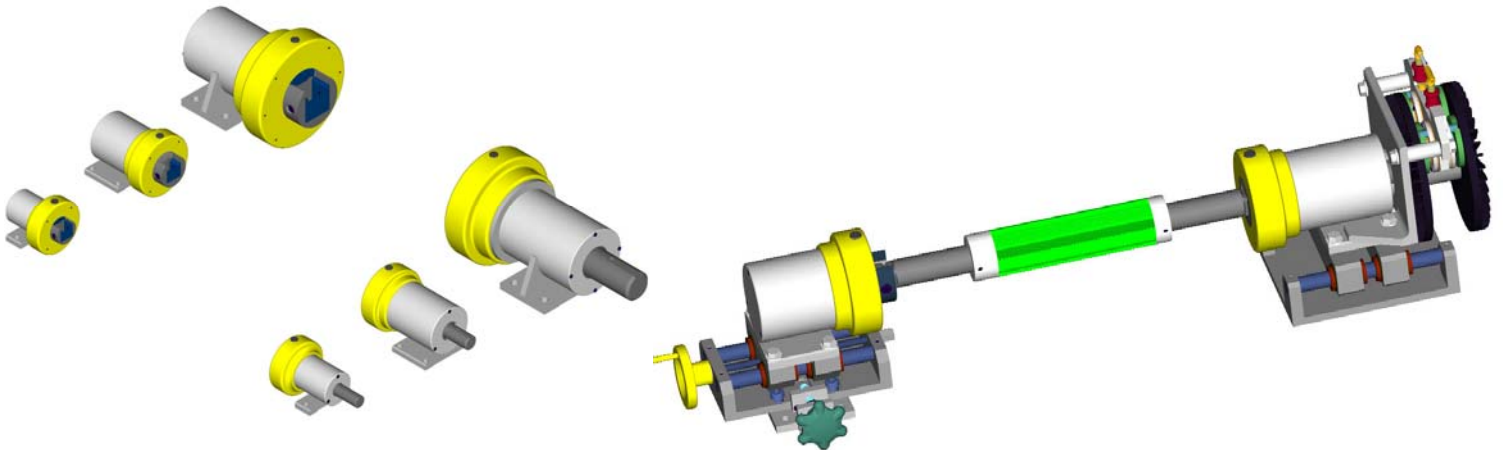
COR-LOK® air shafts and chucks



SimpLok™ shaft holders and modules



ShaftLok™ safety chucks



We also manufacture:

- Mechanical chucks and shafts
- Core cones
- Scroll roll grooved rolls
- Adjusta-Pull nip type anti-wrinkle rolls
- Shear cut edge trim modules
- Inline slitting modules (score, shear, razor)
- Mechanical tension brakes
- Custom designed unwind and rewind stands
- Nip roll modules
- Idler rolls
- Rubber covered rolls
- Plasma coated rolls

Contact us for more information at 800-433-2413 or visit our website
www.converteraccessory.com for more information