

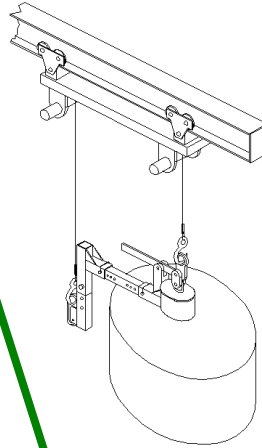
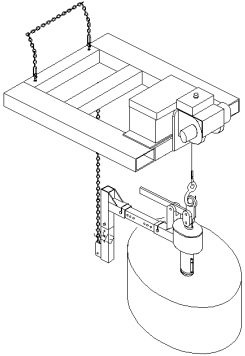
# Protect Your Rolls – Eliminate Back Injuries

Roll Handling Division of CAC®

## FROM A FORK TRUCK

The Patented Fork Truck Rol-handIR™. Converts any fork truck to a roll handling vehicle in minutes.

U.S.A. Patent No. 5513944

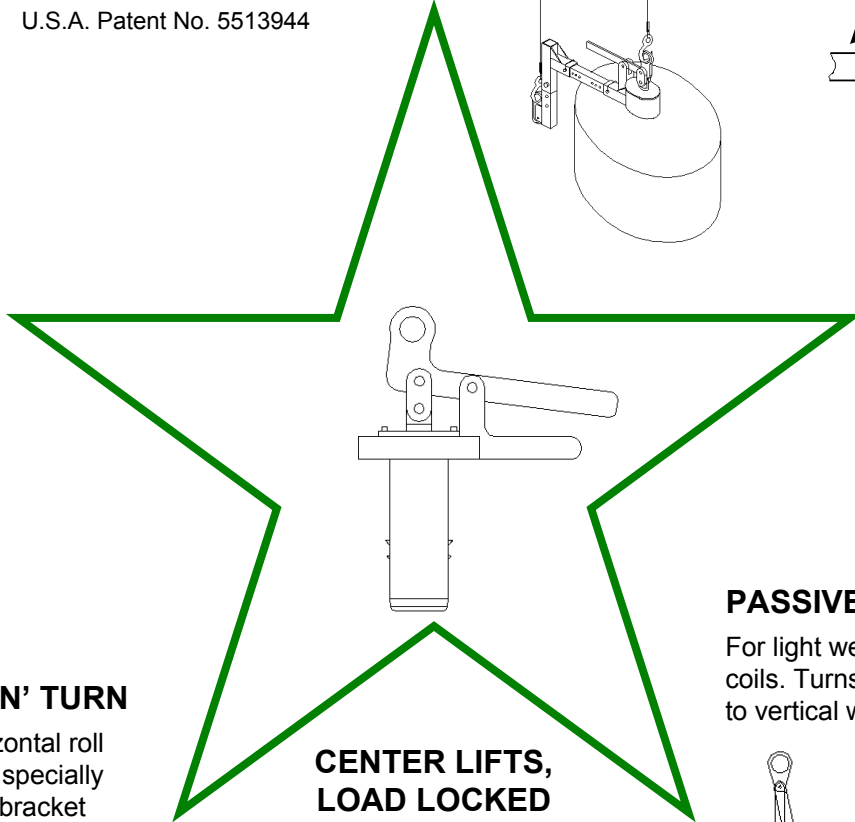
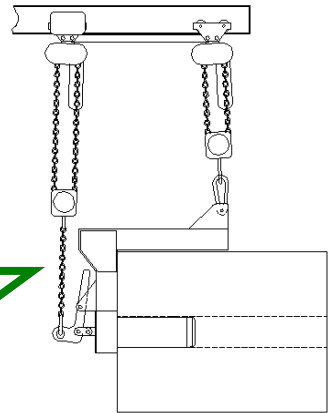


## FROM OVERHEAD

Specially designed center lift and roll pivot arm handles rolls up to:

▲ Up to 900 lbs.

▲ Up to 5000 lbs.

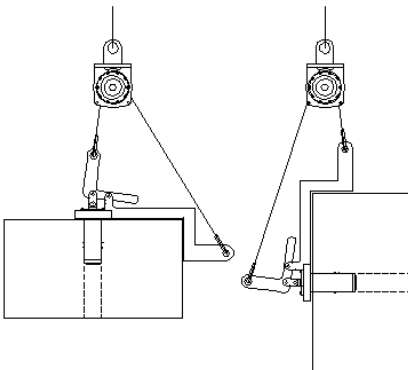


## CENTER LIFTS, LOAD LOCKED

From 3" through 16" I.D. core sizes and available with remote tooth release. Cannot release when supporting weight.

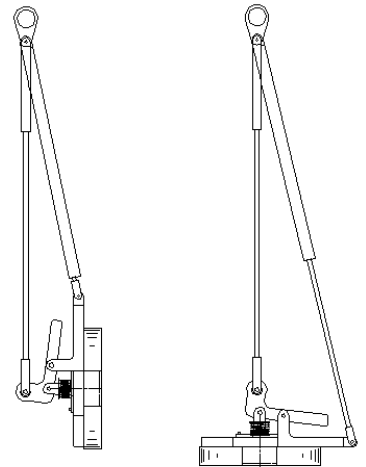
## NEW – LIFT N' TURN

Offers true horizontal roll positioning with specially designed chain bracket



## PASSIVE DOWNENDER

For light weight narrow rolls and coils. Turns material from horizontal to vertical without external power.



CONVERTER ACCESSORY CORP.

[www.handleyourweb.com](http://www.handleyourweb.com)  
Email: [cac@epix.net](mailto:cac@epix.net)

PHONE: 800-433-2413  
610-863-6008

FAX: 800-709-1007  
610-863-7818