



TECHNICAL BULLETIN NO. 600

CONVERTER ACCESSORY CORPORATION

201 Alpha Road, Wind Gap PA 18091

www.handleyourweb.com

E-mail: cac@epix.net

Phone: 800-433-2413 or 610-863-6008

Fax: 800-709-1007 or 610-863-7818

Shaft-Lok™ Safety Shaft Holders

Pinch Point Free Shaft Locking System for Unwind and Rewind Stations



Shown in "OPEN" position ▲



Shown in "OPEN-CLOSED" motion ▲



Shown in "CLOSED" position ▲

Unlike conventional safety chucks, the unique design of the Shaft-Lok™ provides a no pinch point shaft locking device that offers a level of worker safety unequalled by any other shaft locking system.

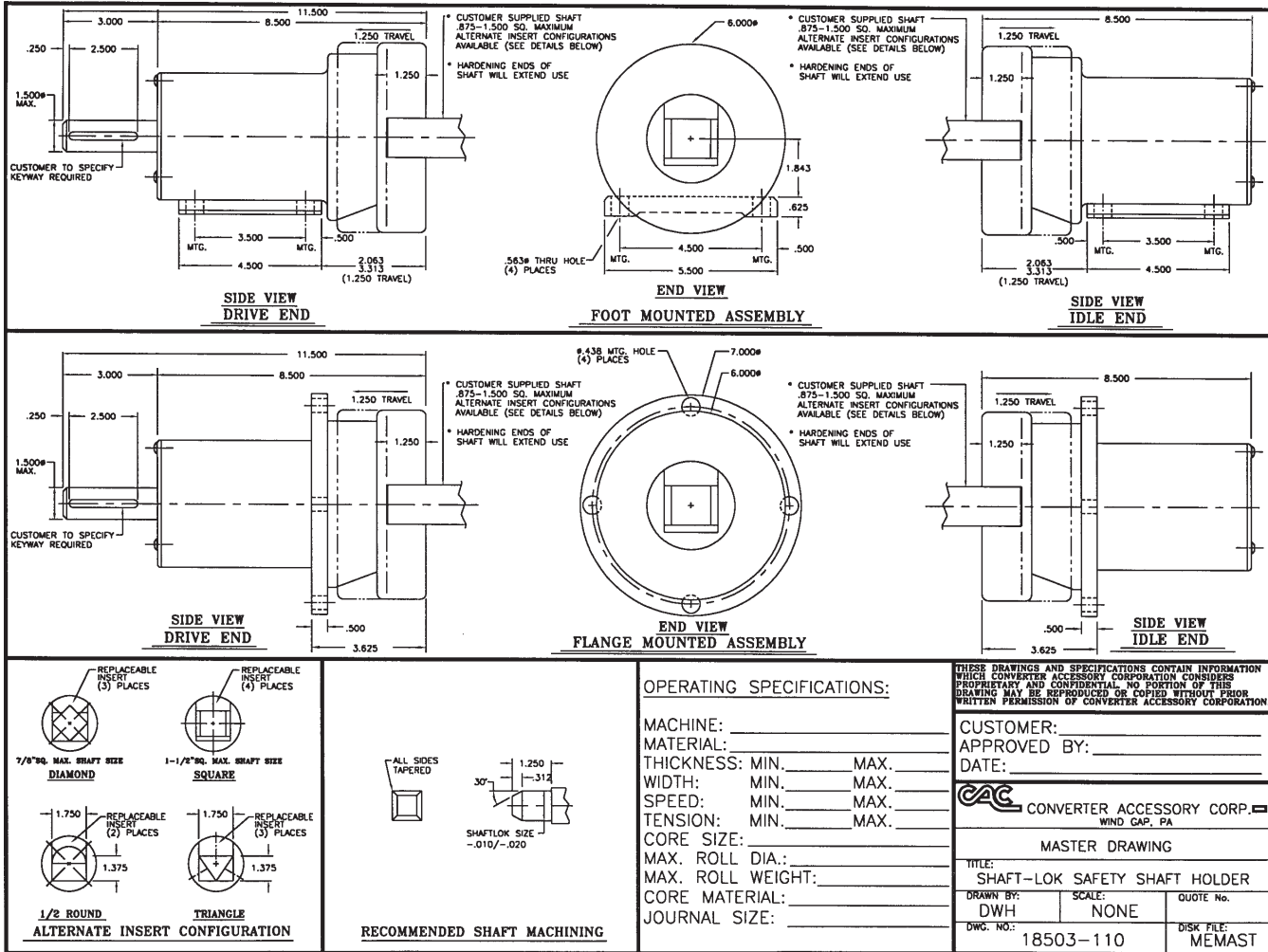
FEATURES AND BENEFITS:

- Opens only in the up position allowing a safe, easy unload operation
- Automatically locks to hold rotating shafts
- Replaceable shaft cradles and inserts available for square, diamond, triangle, 1/2 round, round and custom shaped shafts and shaft ends
- Custom drive extensions available
- Available in several models able to handle loads and roll weights up to 5,000 lbs.
- Operate flawlessly at low to high speeds
- Extra heavy duty steel construction
- Heavy duty ball bearings
- Available with skew and/or lateral adjustments, foot or flange mount
- Standard models combine with CAC brakes for total unwind answers
- Custom designs to combine with the brake, clutch or drive of your choice
- Competitively priced, OEM discounts available

Web Handling Technology...CAC Engineered & Manufactured

Shaft-Lok™ Safety Shaft Holders

DESIGNED AND MANUFACTURED BY CAC



CAC:

Tried, tested and reliable products for the web-fed industry

- Core Support Systems
- Modular Slitting Systems
- Shaft Support Systems
- Brakes & Clutches
- Wrinkle Removal Systems
- Pneumatic Trim & Matrix Removal Systems
- Unwind/Rewind Systems



Web Handling Technology... CAC Engineered & Manufactured CONVERTER ACCESSORY CORPORATION

201 Alpha Road, Wind Gap PA 18091
 www.handleyourweb.com E-Mail: cac@epix.net
 Phone: 800-433-2413 or 610-863-6008
 Fax: 800-709-1007 or 610-863-7818