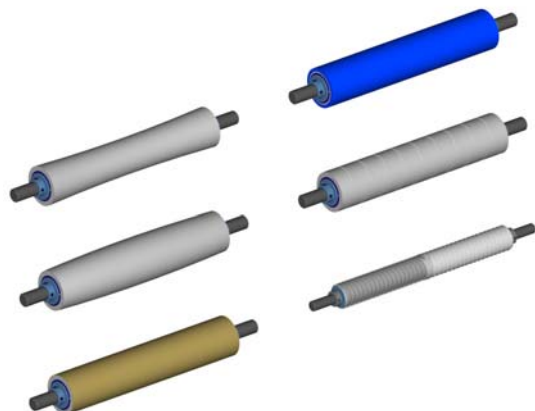
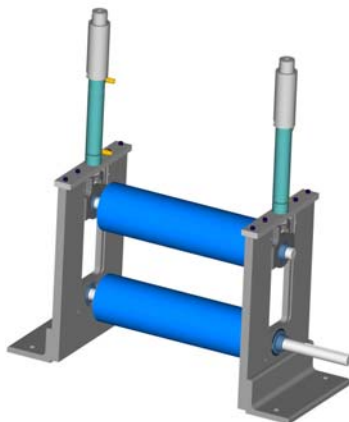
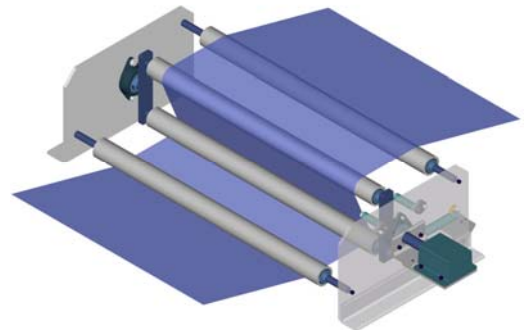
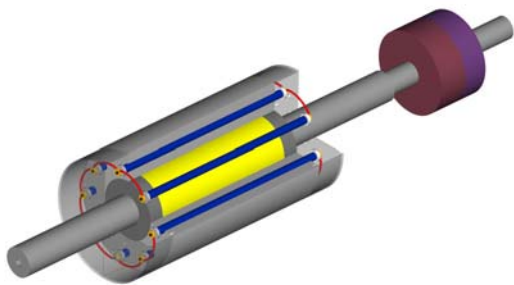




Rollers and Roller Assemblies

- Idler Rolls
- Dancer Roll Assembly
- Nip Roll Assembly
- S-Wrap Feed Roll Assembly
- Heated Roll



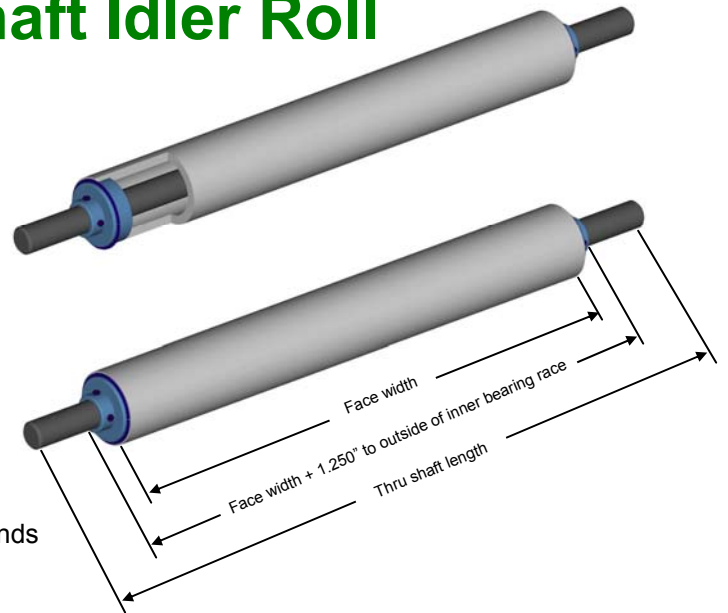
2" Diameter Dead Shaft Idler Roll

Specifications:

- Diameter: 2" Outside diameter (nominal)
- Available materials: .250" Wall aluminum
.250" Wall steel
.250" Wall stainless steel

- Outside diameter turned and polished
- Balanced
- Low friction bearings
- Available coatings:

- Rubber
 - Plasma
 - Chrome
 - Anodize
- Available machining:
- Crown
 - Reverse crown
 - Drilled and tapped thru shaft ends
 - Various groove pattern
 - Knurling



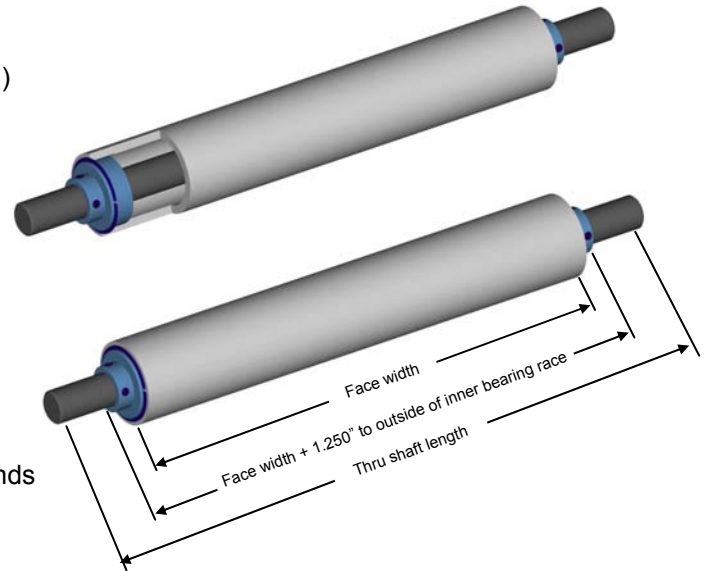
2.5" Diameter Dead Shaft Idler Roll

Specifications:

- Diameter: 2.5" Outside diameter (nominal)
- Available materials: .250" Wall aluminum
.250" Wall steel
.250" Wall stainless steel

- Outside diameter turned and polished
- Balanced
- Low friction bearings
- Available coatings:

- Rubber
 - Plasma
 - Chrome
 - Anodize
- Available machining:
- Crown
 - Reverse crown
 - Drilled and tapped thru shaft ends
 - Various groove pattern
 - Knurling



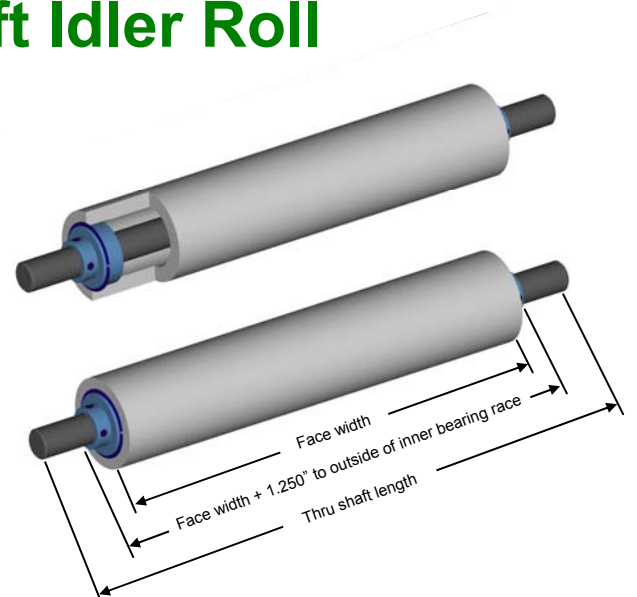
3" Diameter Dead Shaft Idler Roll

Specifications:

- Diameter: 3" Outside diameter (nominal)
- Available materials: .250" Wall aluminum
.187" Wall steel
.187" Wall stainless steel

- Outside diameter turned and polished
- Balanced
- Low friction bearings
- Available coatings:

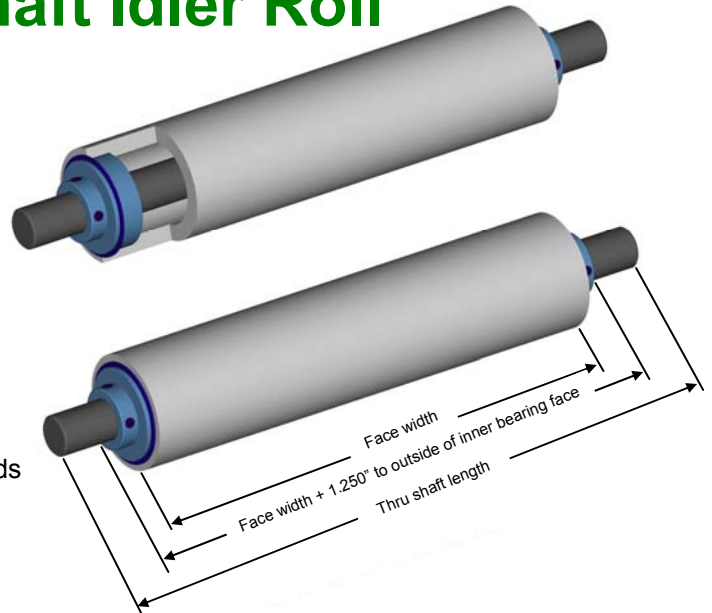
- Rubber
 - Plasma
 - Chrome
 - Anodize
- Available machining:
- Crown
 - Reverse crown
 - Drilled and tapped thru shaft ends
 - Various groove pattern
 - Knurling



3.5" Diameter Dead Shaft Idler Roll

Specifications:

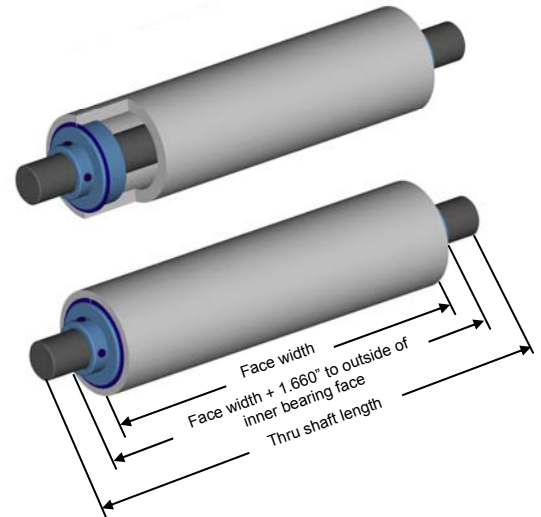
- Diameter: 3.5" Outside diameter (nominal)
- Available materials: .500" Wall aluminum
.187" Wall steel
.187" Wall stainless steel
- Thru shaft diameter: 1.25" Stock (not machined)
- Outside diameter turned and polished
- Balanced
- Low friction bearings
- Available coatings: Rubber Plasma
Chrome Anodize
- Available machining: Crown
Reverse crown
Drilled and tapped thru shaft ends
Various groove pattern
Knurling



4" Diameter Dead Shaft Idler Roll

Specifications:

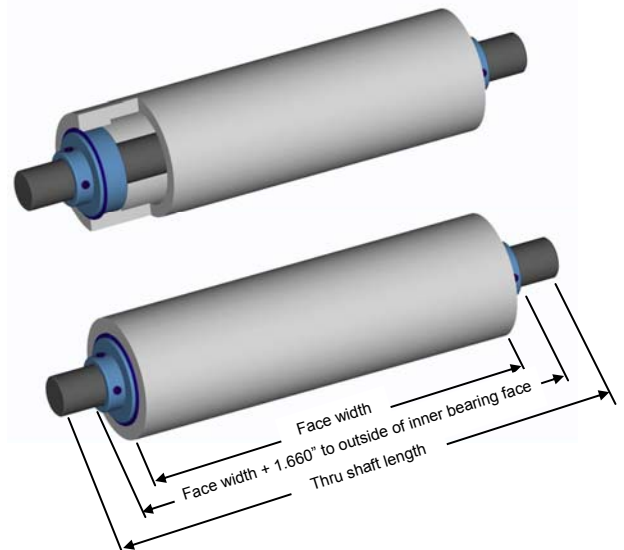
- Diameter: 4" Outside diameter (nominal)
- Available materials: .500" Wall aluminum
.250" Wall steel
.250" Wall stainless steel
- Thru shaft diameter: 1.5" Stock (not machined)
- Outside diameter turned and polished
- Balanced
- Low friction bearings
- Available coatings: Rubber Plasma
Chrome Anodize
- Available machining: Crown
Reverse crown
Drilled and tapped thru shaft ends
Various groove pattern
Knurling



4.5" Diameter Dead Shaft Idler Roll

Specifications:

- Diameter: 4.5" Outside diameter (nominal)
- Available materials: .500" Wall aluminum
.250" Wall steel
.250" Wall stainless steel
- Thru shaft diameter: 1.5" Stock (not machined)
- Outside diameter turned and polished
- Balanced
- Low friction bearings
- Available coatings: Rubber Plasma
Chrome Anodize
- Available machining: Crown
Reverse crown
Drilled and tapped thru shaft ends
Various groove pattern
Knurling

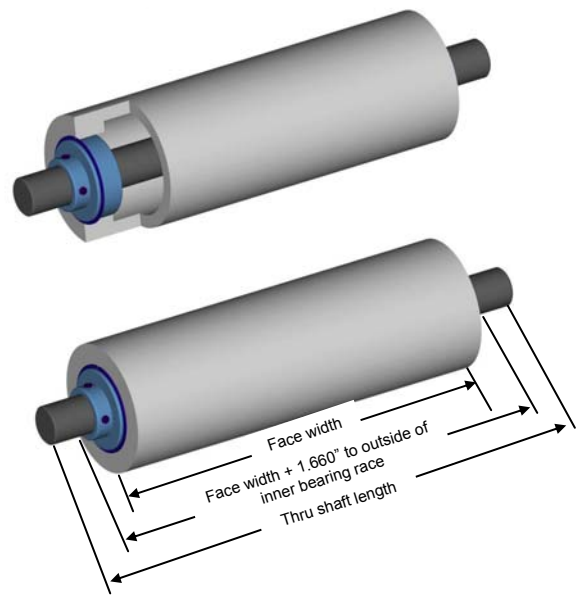


5" Diameter Dead Shaft Idler Roll

Specifications:

- Diameter: 5" Outside diameter (nominal)
- Available materials:
 - .500" Wall aluminum
 - .310" Wall steel
 - .310" Wall stainless steel
- Thru shaft diameter 1.5" Stock (not machined)
- Outside diameter turned and polished
- Balanced
- Low friction bearings
- Available coatings:

Rubber	Plasma
Chrome	Anodize
- Available machining:
 - Crown
 - Reverse crown
 - Drilled and tapped thru shaft ends
 - Various groove pattern
 - Knurling

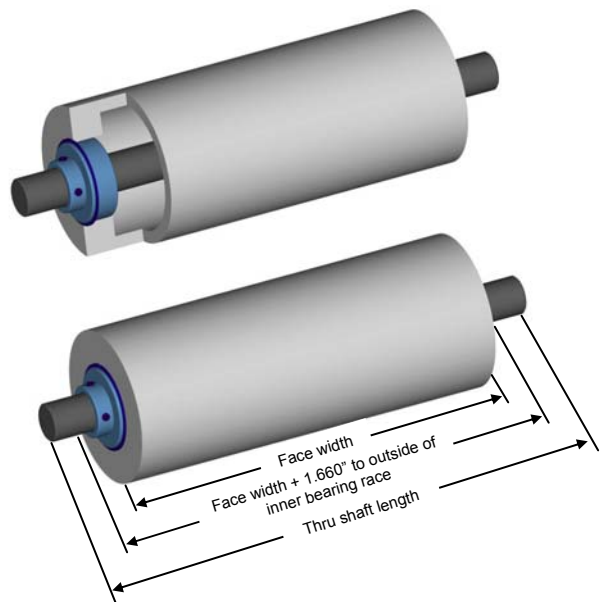


6" Diameter Dead Shaft Idler Roll

Specifications:

- Diameter: 6" Outside diameter (nominal)
- Available materials:
 - .500" Wall aluminum
 - .310" Wall steel
 - .310" Wall stainless steel
- Thru shaft diameter 1.5" Stock (not machined)
- Outside diameter turned and polished
- Balanced
- Low friction bearings
- Available coatings:

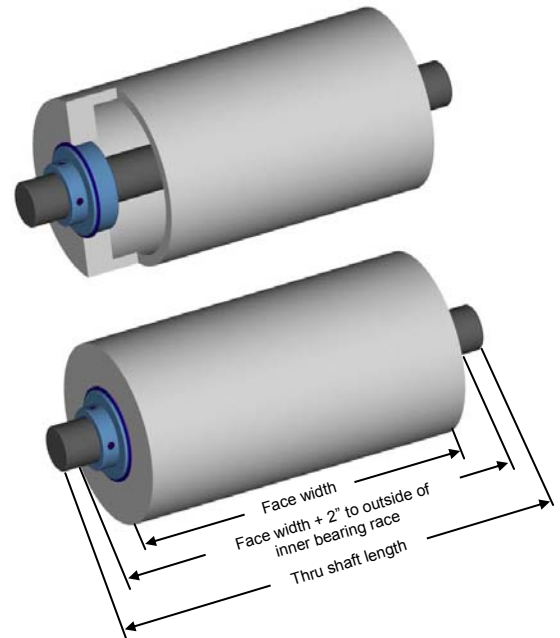
Rubber	Plasma
Chrome	Anodize
- Available machining:
 - Crown
 - Reverse crown
 - Drilled and tapped thru shaft ends
 - Various groove pattern
 - Knurling



8" Diameter Dead Shaft Idler Roll

Specifications:

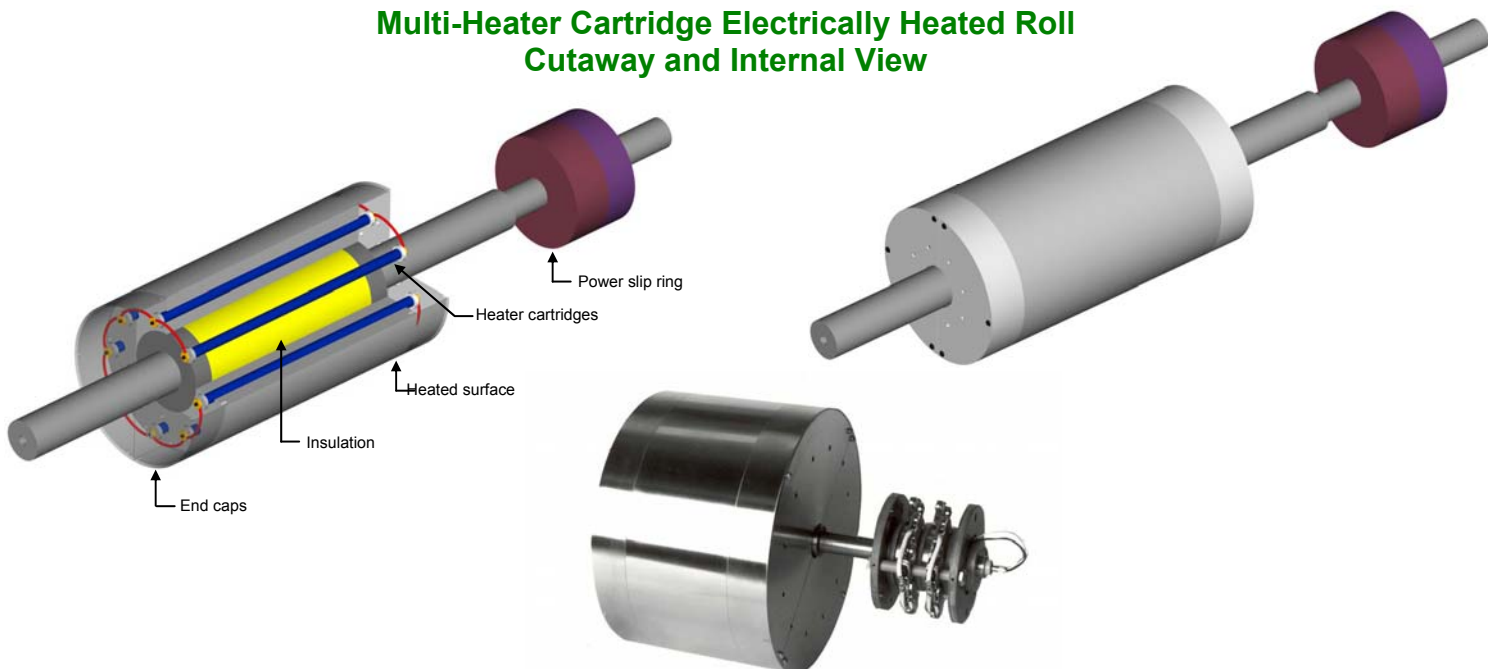
- Diameter: 8" Outside diameter (nominal)
7.5" Outside diameter WINertia™ material (nominal)
- Available materials: .5" Wall aluminum
.5" Wall steel
- Thru shaft diameter 2" Stock (not machined)
- Outside diameter turned and polished
- Balanced
- Low friction bearings
- Available coatings: Rubber Plasma
Chrome Anodize
- Available machining: Crown
Reverse crown
Drilled and tapped thru shaft ends
Various groove pattern
Knurling



Multi-Heater Cartridge Electrically Heated Rolls

CAC's multi-heater cartridge electrically heated roll offers unequalled accuracy and controllability. This heated roll is designed with multiple heater cartridges, powered by a slip ring. The heating radius of each cartridge is overlapped, so heat delivered by your web is controlled within the tolerances your application re-

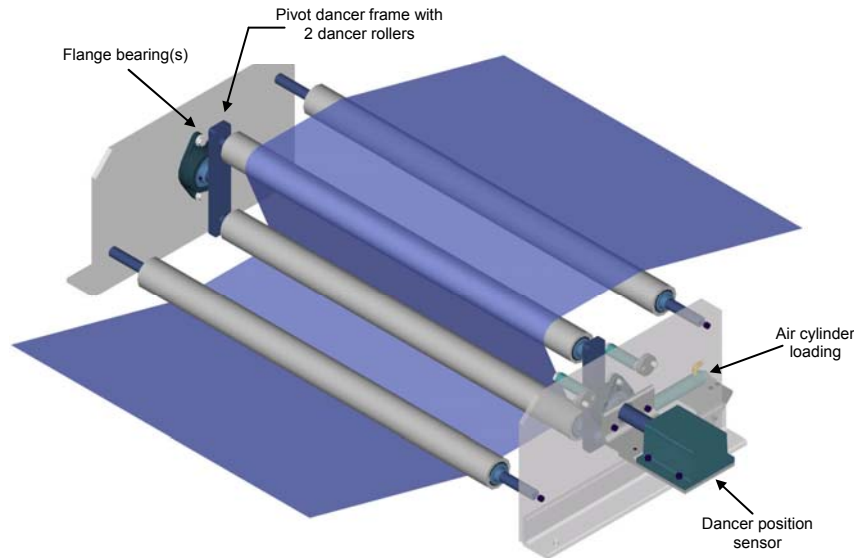
Multi-Heater Cartridge Electrically Heated Roll Cutaway and Internal View



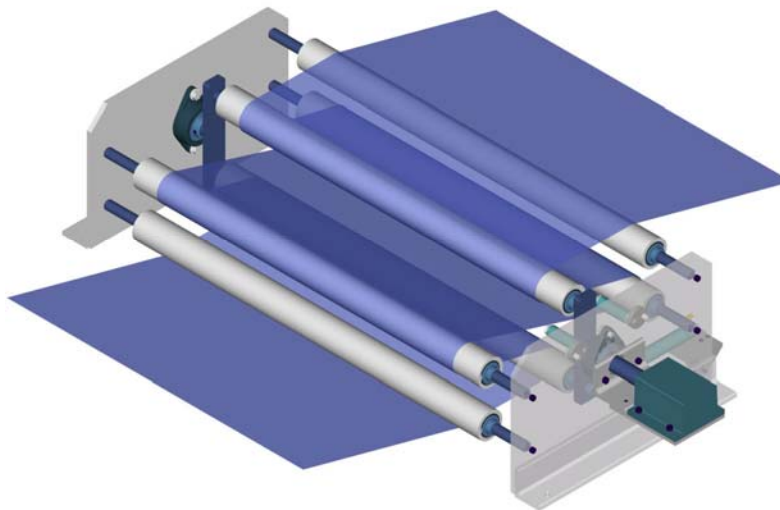
Rotational Type Dancer Roll Assembly

CAC's Rotational Type Dancer Roll Assembly is the perfect answer where closed loop, stable tension control is desired. This system is supplied with potentiometer or non contact position sensing for integration into dancer control systems or drive systems. This system works extremely well for very low to high tension and speed ranges.

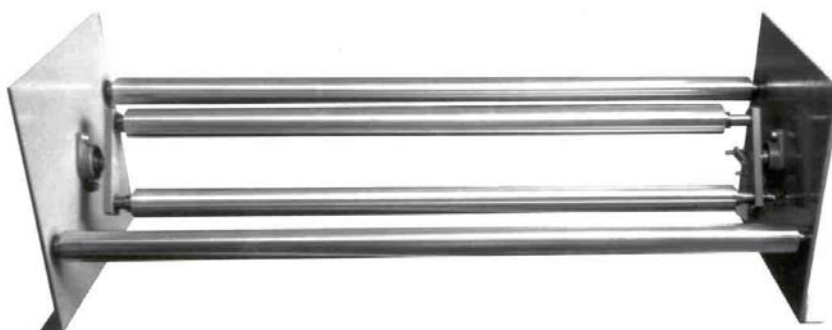
Single Pass, Rotational Type Dancer



Dual Pass Rotational Type Dancer

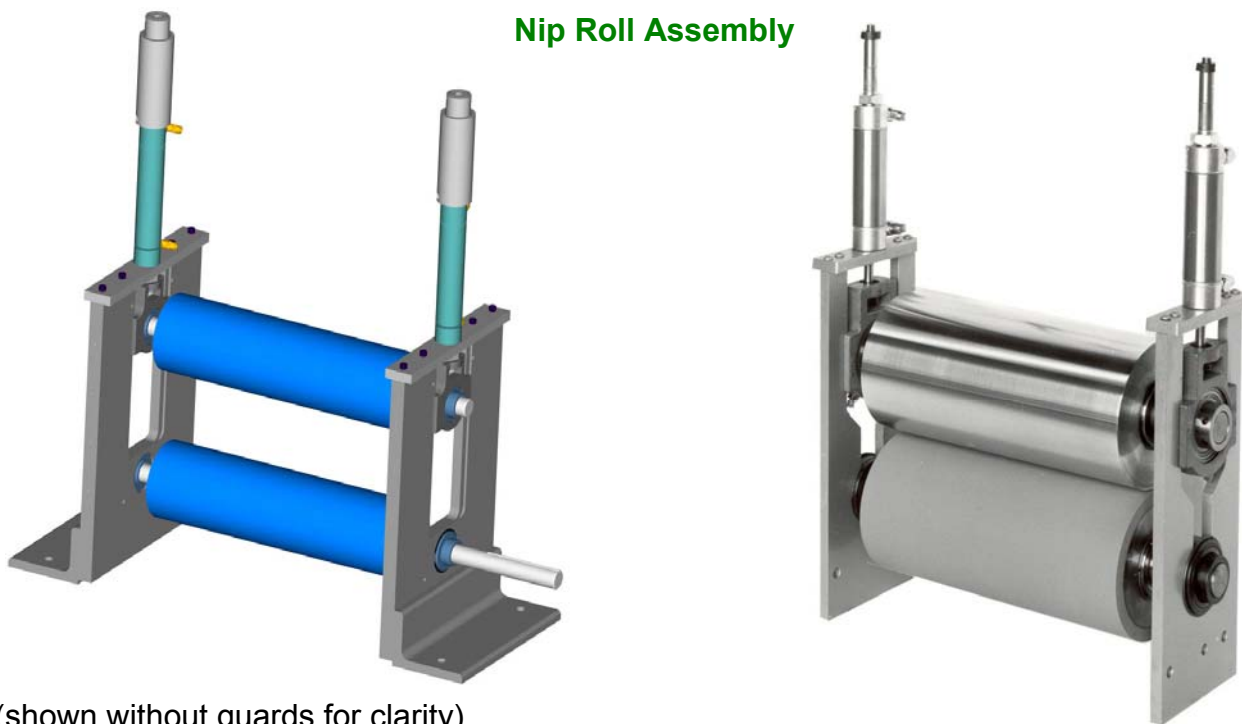


15" of Material Storage (shown without guards for clarity)

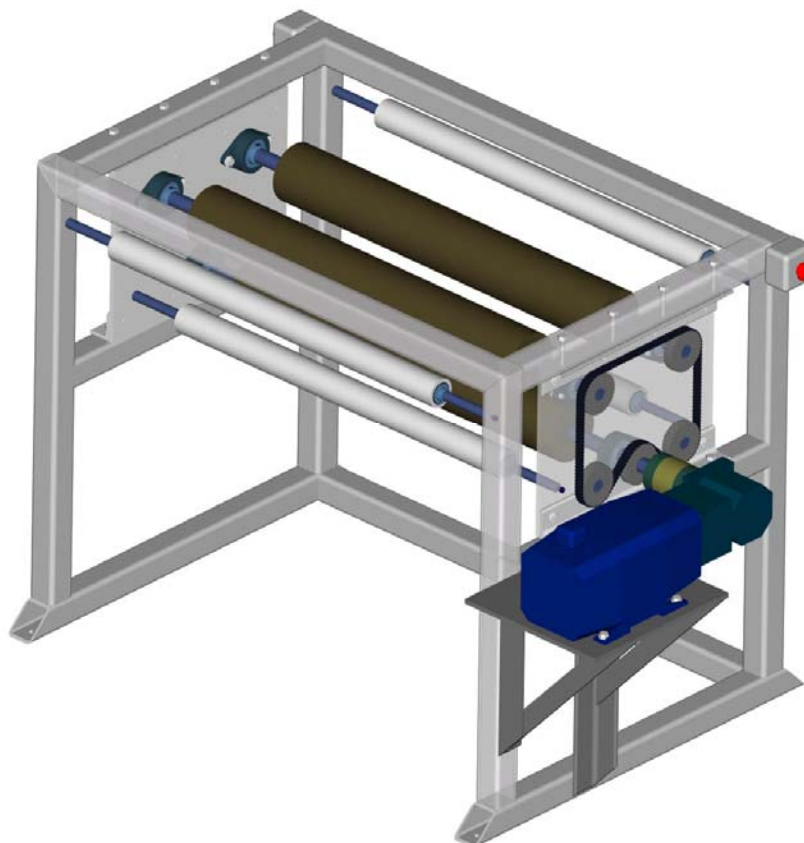


Nip Roll and S-Wrap Feed Roll Assembly

Nip roll and S-Wrap feed roll assemblies from CAC are effective options where web tension zones must be established. Both nip and S-Wrap feed rolls are available with roller coverings and machining.



S-Wrap Feed Roll Assembly

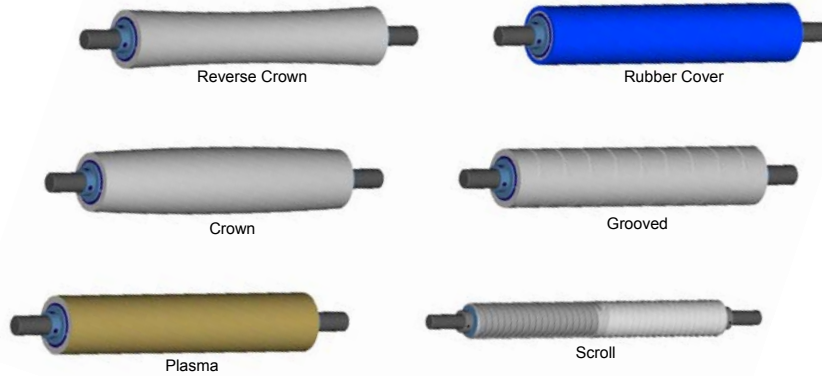


(shown without guards for clarity)

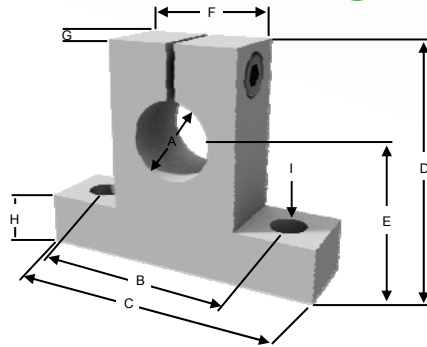
Visit www.converteraccessory.com to view and download specification sheets



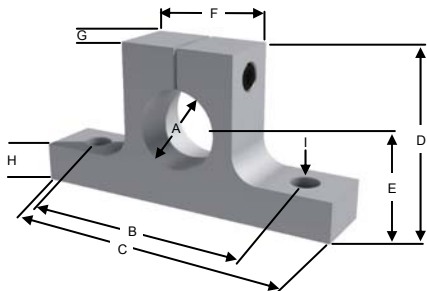
Machining Patterns and Coatings



Standard Mounting Blocks



Standard Mounting Block Dimensions								
A (shaft size)	B	C	D	E	F	G	H	I
Up to < 1"	3.750	5.000	2.500	1.125	2.000	1.250	0.625	0.406
<i>All dimensions in inches</i>								



Standard Mounting Block Dimensions								
A (shaft size)	B	C	D	E	F	G	H	I
1" up to < 1.5"	3.750	5.000	2.500	1.125	2.000	1.250	0.625	0.406
1.5" up to < 2"	4.500	6.000	3.000	1.375	2.250	1.250	0.750	0.531
2" up to 2.5" max	6.000	8.000	4.000	1.875	3.500	2.000	1.000	0.812
<i>All dimensions in inches</i>								

CONVERTER ACCESSORY CORPORATION

201 Alpha Road PO Box 188, Wind Gap, PA 18091-0188

Phone: ●800-433-2413 ●610-863-6008 Fax: ●800-709-1007 ●610-863-7818