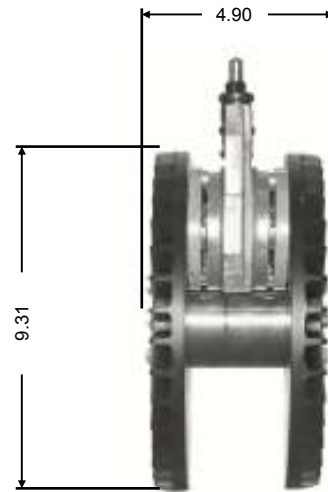




Tension Brakes



Air Operated Tension Brake



Torque

6000 Series	.10 Pads		.30 Pads		.45 Pads	
	Lb. In.		Lb. In.		Lb. In.	
Model	Max	Min	Max	Min	Max	Min
62__ (Pad Value)	330	2.2	1100	6.6	1500	10
64__ (Pad Value)					3000	
660	660		2200			

Horse Power (Heat Dissipation)

600	2.87	1250	4.63	1900	6.00
550	2.72	1200	4.51	1850	5.90
500	2.56	1150	4.39	1800	5.81
450	2.40	1100	4.26	1750	5.71
400	2.23	1050	4.14	1700	5.61
350	2.06	1000	4.01	1650	5.51
300	1.89	950	3.88	1600	5.41
250	1.72	900	3.74	1550	5.31
200	1.54	850	3.60	1500	5.20
150	1.36	800	3.46	1450	5.09
100	1.18	750	3.32	1400	4.98
50	0.99	700	3.17	1350	4.87
0	0.80	650	3.02	1300	4.75
ECS	HP	ECS	HP	ECS	HP

- Simple design
- Easy to operate
- Broad torque range
- Three friction coefficients to choose from
- Select 2, 4, 6 or 8 friction pad engagement for proper torque for your unique setups
- Accepts variable air pressure to vary the torque
- High heat dissipation
- Manufactured in the USA
- Thru bore brake - bore sizes up to 1.750" available
- Easily combined with CAC ShaftLok™ safety shaft holders or SimpLok™ shaft holders for complete unwind upgrades

Save time! Calculate your torque and horsepower requirements at <http://www.converteraccessory.com/ss/tqrpmhp.htm> !**

You will need the following information for the calculator:

- Roll outside diameter
- Core diameter
- Maximum running speed in feet per minute
- Minimum running speed in feet per minute
- Maximum web tension in pounds per linear inch
- Minimum web tension in pounds per linear inch
- Maximum web width
- Minimum web width
- Maximum roll weight
- Stop time (if you want to calculate emergency stop torque)

****DISCLAIMER**—A great deal of time has been invested in the development, testing and debugging of our online calculators. To the best of our knowledge, they are free of defects. It is up to the user to verify all results presented by our calculators.

The author assumes no liability connected with the use of this information or the results obtained from it.



Ball bearing



Bronze bushing

Features and Benefits:

- Simple rugged construction—virtually maintenance free
- Accommodates shaft sizes of 3/4", 7/8", 1", 1-1/8", 1-1/4"
- Manufactured in the USA
- Shipped fully assembled and ready for installation
- Easily combines with CAC ShaftLok™ safety shaft holders or SimpLok™ shaft holders for complete unwind upgrades



Tried, tested and reliable products for the web-fed industry

- Air shafts and chucks - www.cor-lok.com
- Pneumatic trim and matrix removal systems
www.foxtrimaway.com
- Shaft support systems - www.simplok.com
- Wrinkle removal systems - www.cacwrinklestop.com
- Unwind / rewind systems
www.converteraccessory.com/products/roll_support
- Modular slitting systems
www.converteraccessory.com/products/slitting
- Brakes and clutches
www.converteraccessory.com/products/related/brake
- Roll Handling
www.converteraccessory.com/products/roll_lifting
- Dancer Roll Assemblies
www.converteraccessory.com/products/dancer
- Slitting - www.converteraccessory.com/products/slitting
- Idlers - www.converteraccessory.com/products/related/mainidler
- Custom Equipment
www.converteraccessory.com/products/related

Visit us at www.converteraccessory.com/salesrep
for your local sales representative or
contact us direct

CONVERTER ACCESSORY CORPORATION
201 Alpha Road PO Box 188, Wind Gap, PA 18091-0188
www.converteraccessory.com
Email: sales@converteraccessory.com
Phone: ●800-433-2413 ● 610-863-6008
Fax: ●800-709-1007 ● 610-863-7818

Web Handling Technology . . . CAC Engineered and Manufactured