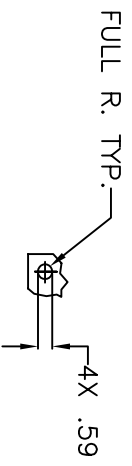
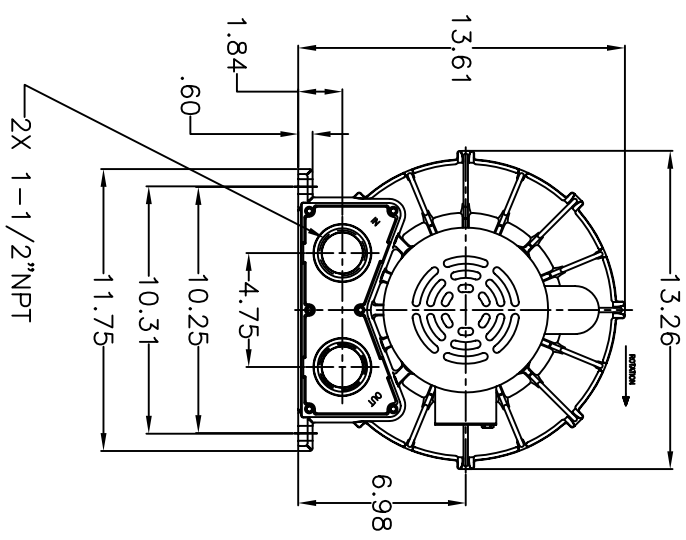
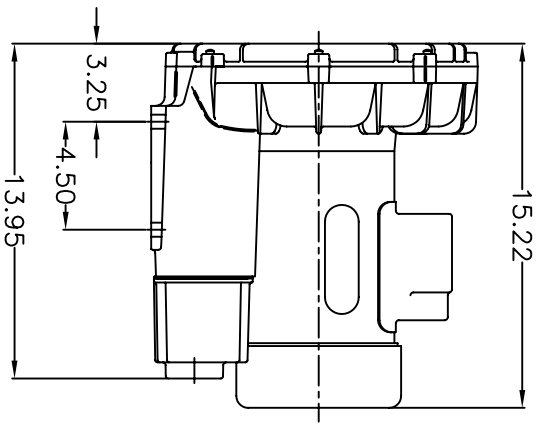


MAX. PRESSURE - 65" H<sub>2</sub>O (60Hz), 50" H<sub>2</sub>O (50Hz)  
 MAX. AIR FLOW - 127 CFM (60Hz), 110 CFM (50Hz)



MOTOR ENCLOSURE: TEFC

HP/kw: 60Hz 1.5/1.1

VOLTAGE: 60Hz 1.0/0.75

AMPS: 60Hz 115/208-230-1

50Hz 110/220-240-1

STARTING AMPS: 60Hz 20.7/11.2-10.4

50Hz 16.0/8.0-9.3

INSULATION CLASS: B

RECOMMENDED NEMA STARTER SIZE: 1/0

NET WEIGHT(lbs/kg): 61/27.7

REV.	DATE	REVISION	BY
		FINISH REQUIRED	
TOLERANCES UNLESS OTHERWISE NOTED			
±.005 .000			
±.015 .00			
FRACTIONAL			
±1/64			
ANGULAR			
±1°			

**QC** CONVERTER ACCESSORY CORP. WIND GAP, PA

TITLE: MODEL #350G REGENERATIVE BLOWER

DRAWN BY: MJT SCALE: 1/8"=1"

DWG. NO.: 20222-53 DATE: 1-24-05

CUSTOMER: MEPROJ

CUSTOMER SO#: DATE:

THESE DRAWINGS AND SPECIFICATIONS CONTAIN INFORMATION PROPRIETARY AND CONFIDENTIAL TO CONVERTER ACCESSORY CORPORATION. NO PORTION OF THIS DRAWING MAY BE REPRODUCED OR COPIED WITHOUT PRIOR WRITTEN PERMISSION OF CONVERTER ACCESSORY CORPORATION.