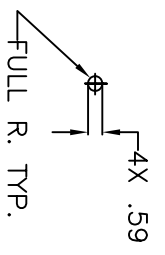
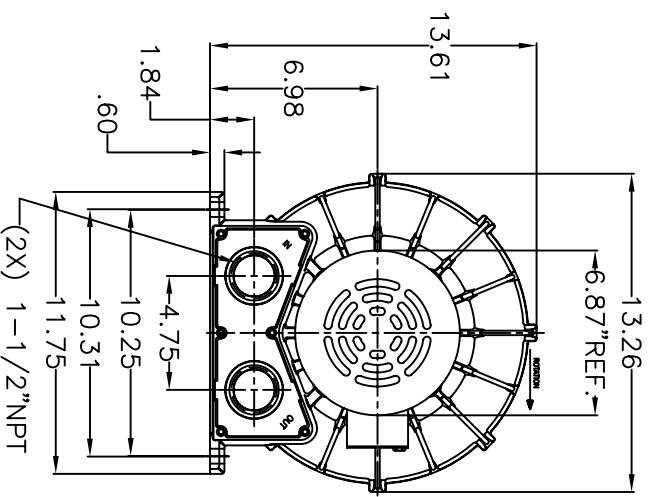
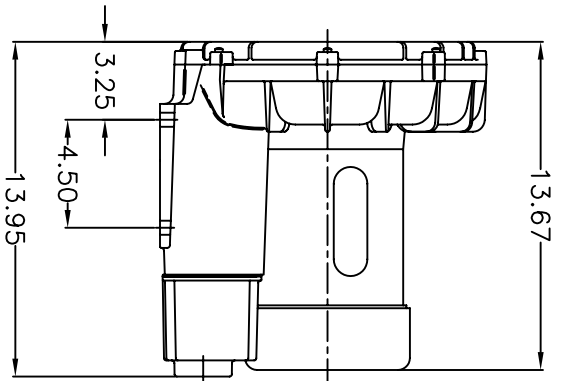


MAX. PRESSURE- 65"H₂O (60Hz), 50"H₂O (50Hz)
 MAX. AIR FLOW- 127 CFM (60Hz), 110 CFM (50Hz)

MOTOR ENCLOSURE: TEFC

- HP/kw: 60Hz 1.5/1.1
- 50Hz 1.0/0.75
- VOLTAGE: 60Hz 208-230/460-3
- 50Hz 190-220/380-415-3
- AMPS: 60Hz 5.1-4.9/2.5
- 50Hz 3.9-4.3/1.9-2.0
- STARTING AMPS: 60Hz 18.5 @ 460V
- 50Hz 19 @ 380V
- INSULATION CLASS: B

RECOMMENDED NEMA STARTER SIZE: 00/00
 NET WEIGHT(lbs/kg): 43/24,1



REV.	DATE	REVISION	BY
		FINISH REQUIRED	
TOLERANCES UNLESS OTHERWISE NOTED			
±.005 .000			
±.015 .00			
FRACTIONAL			
±1/64			
ANGULAR			
±1°			

REG CONVERTER ACCESSORY CORP. WIND GAP, PA

TITLE: MODEL #450G REGENERATIVE BLOWER
 DRAWN BY: MJT SCALE: 1/8"=1"
 DATE: 1-24-05
 DWG. NO.: 20222-54 DISK FILE: MEPROJ

CUSTOMER: CUSTOMER SO#: DATE:

THESE DRAWINGS AND SPECIFICATIONS CONTAIN INFORMATION PROPRIETARY AND CONFIDENTIAL TO REGENERATIVE BLOWER COMPANY. NO PORTION OF THIS DRAWING MAY BE REPRODUCED OR COPIED WITHOUT PRIOR WRITTEN PERMISSION OF CONVERTER ACCESSORY CORPORATION.