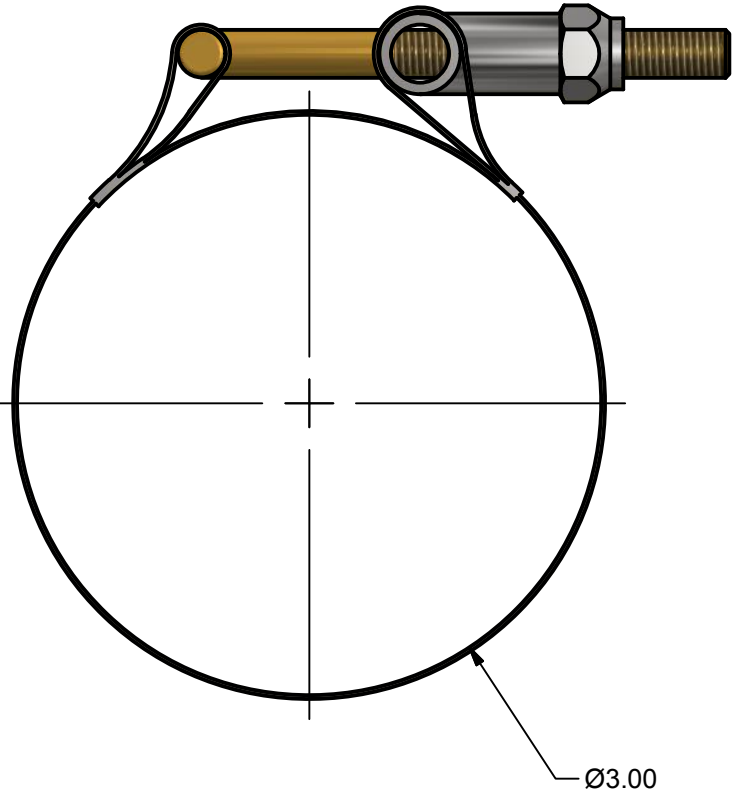


2



1

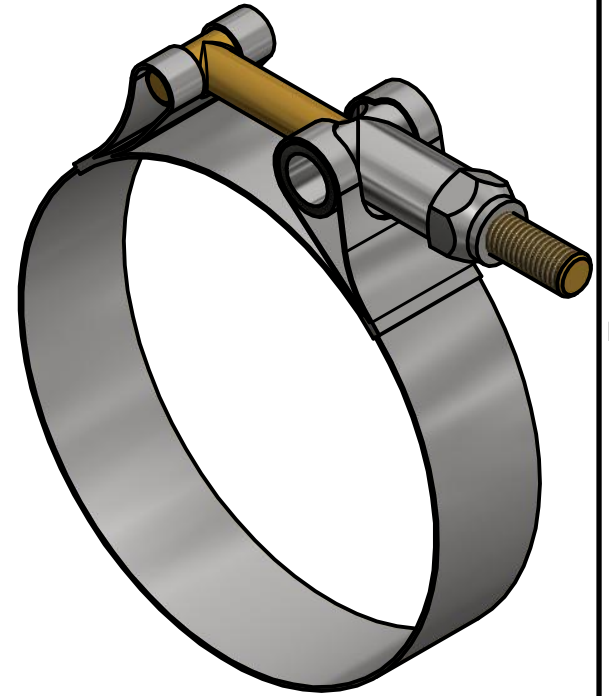
B



Ø3.00



.750



B



CUSTOMER: _____

APPROVED BY: _____

DATE: _____

PART NUMBER: 20222-97
PART IS STAINLESS STEEL

NOTES:

THESE DRAWINGS AND SPECIFICATIONS CONTAIN INFORMATION WHICH CONVERTER ACCESSORY CORPORATION CONSIDERS PROPRIETARY AND CONFIDENTIAL. NO PORTION OF THIS DRAWING MAY BE REPRODUCED OR COPIED WITHOUT PRIOR WRITTEN PERMISSION OF CONVERTER ACCESSORY CORPORATION.



CONVERTER ACCESSORY CORP.

WIND GAP, PA 18091

WWW.CONVERTERACCESSORY.COM

TITLE

3" HIGH TORQUE DUCT CLAMP

SIZE

A

DWG NO

18503-185A

REV

A

DATE

DRAWN

FILE

MEMAST

QUOTE NO.

2



1

A

A