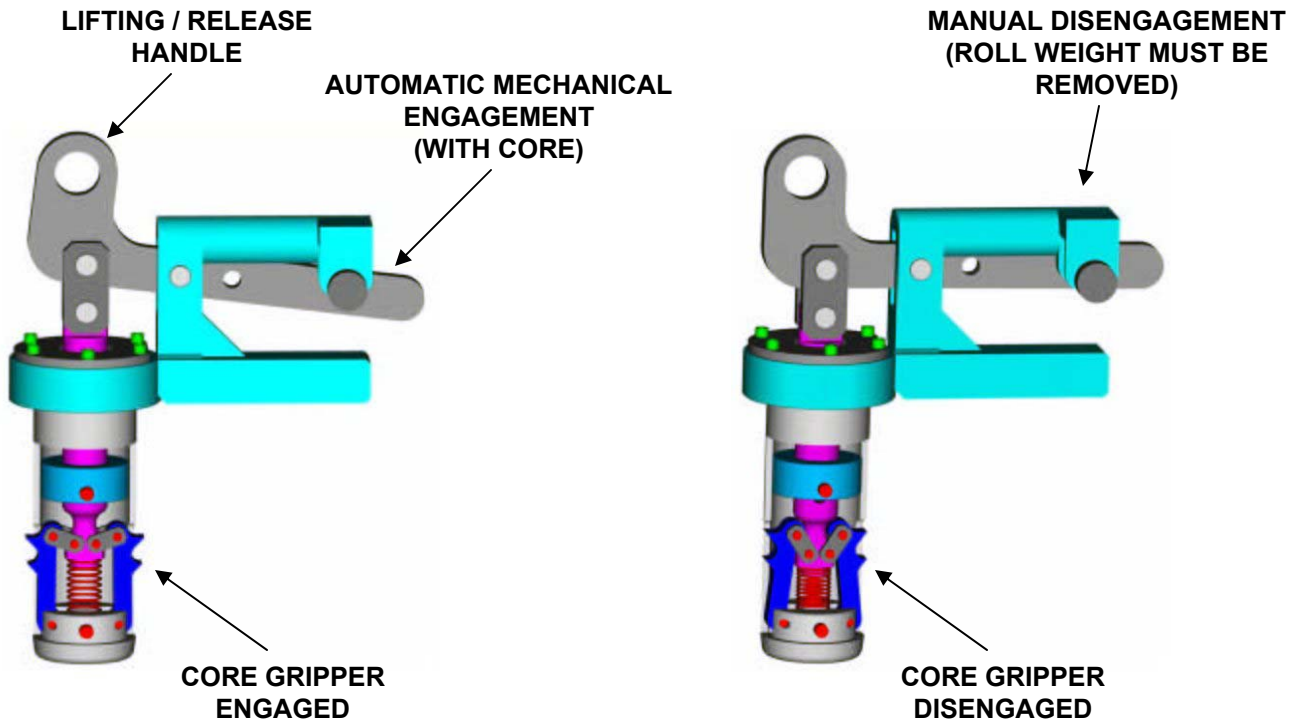


ROLL HANDLING DIVISION OF CAC®

ROLL AND COIL LIFT PROBES

IDEAL FOR HOISTS, JIBS AND BRIDGE CRANES



- Safe & simple to use
- Available for 3" & 6" I.D. core sizes
- Heavy duty construction is virtually maintenance free
- Handle lifts with ease to disengage
- Positive gripping action in any core
- Cannot disengage while supporting weight



CONVERTER ACCESSORY CORP.

www.handleyourweb.com
Email: cac@epix.net

PHONE: 800-433-2413
610-863-6008

FAX: 800-709-1007
610-863-7818