

2

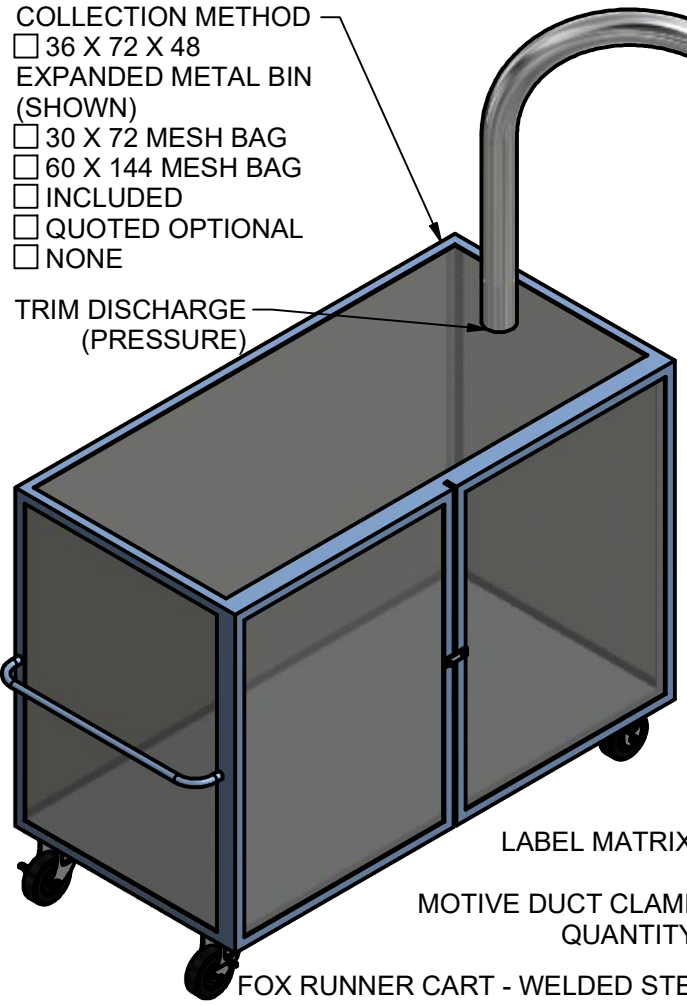
1

- COLLECTION METHOD
- 36 X 72 X 48 EXPANDED METAL BIN (SHOWN)
 - 30 X 72 MESH BAG
 - 60 X 144 MESH BAG
 - INCLUDED
 - QUOTED OPTIONAL
 - NONE

DUCT LENGTHS			
	DIAMETER	LENGTH	# SWEEPS
MOTIVE (A)			
DISCHARGE (B)			
DISCHARGE (B) LINING	<input type="checkbox"/> PTFE	<input type="checkbox"/> NONE	<input type="checkbox"/> OTHER

B

B

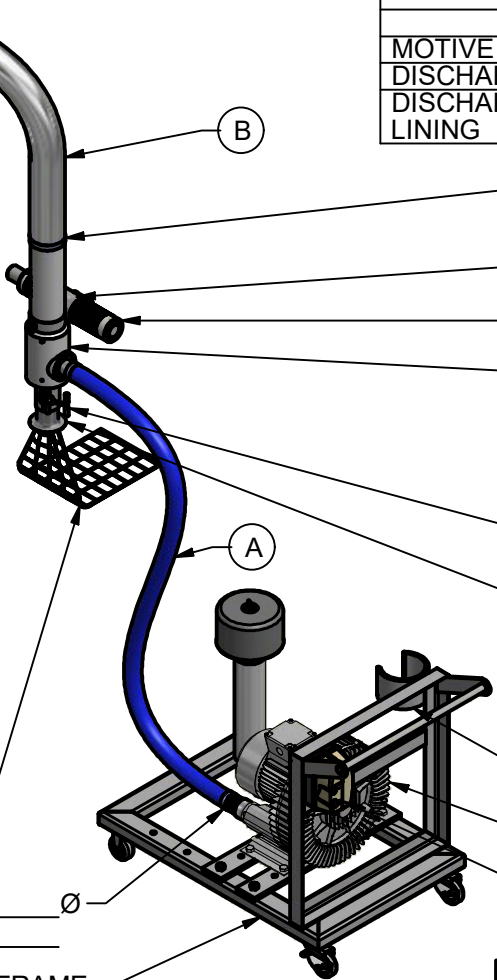


TRIM DISCHARGE (PRESSURE)

LABEL MATRIX

MOTIVE DUCT CLAMP _____ Ø
QUANTITY: _____

FOX RUNNER CART - WELDED STEEL FRAME
SIZE: 24W X 33H X 40L



DISCHARGE DUCT CLAMP _____ Ø
QUANTITY: _____

QUICK RELEASE MOUNTING BRACKET

EXISTING MATRIX REWIND SHAFT

VENTURI: MR2
 MR3
 WITH PTFE LINING
 WITHOUT PTFE LINING
 OTHER LINING _____

QUICK ON COUPLING _____ Ø
QUANTITY: _____

_____ Ø STANDARD PICKUP NOZZLE
TRUMPET TYPE
 WITH PTFE LINING
 WITHOUT PTFE LINING
 OTHER LINING _____

VENTURI HOLDING SADDLE

_____ HP REGENERATIVE BLOWER

BLOWER MOTOR STARTER
 INCLUDED QUOTED OPTIONAL NONE

THESE DRAWINGS AND SPECIFICATIONS CONTAIN INFORMATION WHICH CONVERTER ACCESSORY CORPORATION CONSIDERS PROPRIETARY AND CONFIDENTIAL. NO PORTION OF THIS DRAWING MAY BE REPRODUCED OR COPIED WITHOUT PRIORWRITTEN PERMISSION OF CONVERTER ACCESSORY CORPORATION.

CAC CONVERTER ACCESSORY CORP.
WIND GAP, PA 18091
WWW.CONVERTERACCESSORY.COM

CUSTOMER: _____
APPROVED BY: _____ DATE: _____

TRIM REMOVAL SPECIFICATIONS:
CONTINUOUS MATRIX PIECES
WIDTH: _____
DESCRIBE: _____

OPERATING SPECIFICATIONS:
MACHINE: _____
MATERIAL: _____
THICKNESS: MIN. _____ MAX. _____
WIDTH: MIN. _____ MAX. _____
SPEED: MIN. _____ MAX. _____

DID YOU SEND SAMPLES? YES NO
NOTES: _____

ELECTRICAL SUPPLY: 220-275/380-480/3PH/50-60HZ
 110-120/220-240/1PH/50-60HZ
OTHER: _____
AMPS: _____
EXPLOSION PROOF: YES NO

TITLE			
FOX RUNNER PORTABLE MATRIX REMOVAL SYSTEM			
SIZE	DWG NO	REV	
A	18503-213A	A	
DATE	DRAWN	FILE	QUOTE NO.
		MEMAST	

2

1

A

A