

2

1

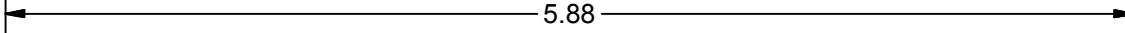
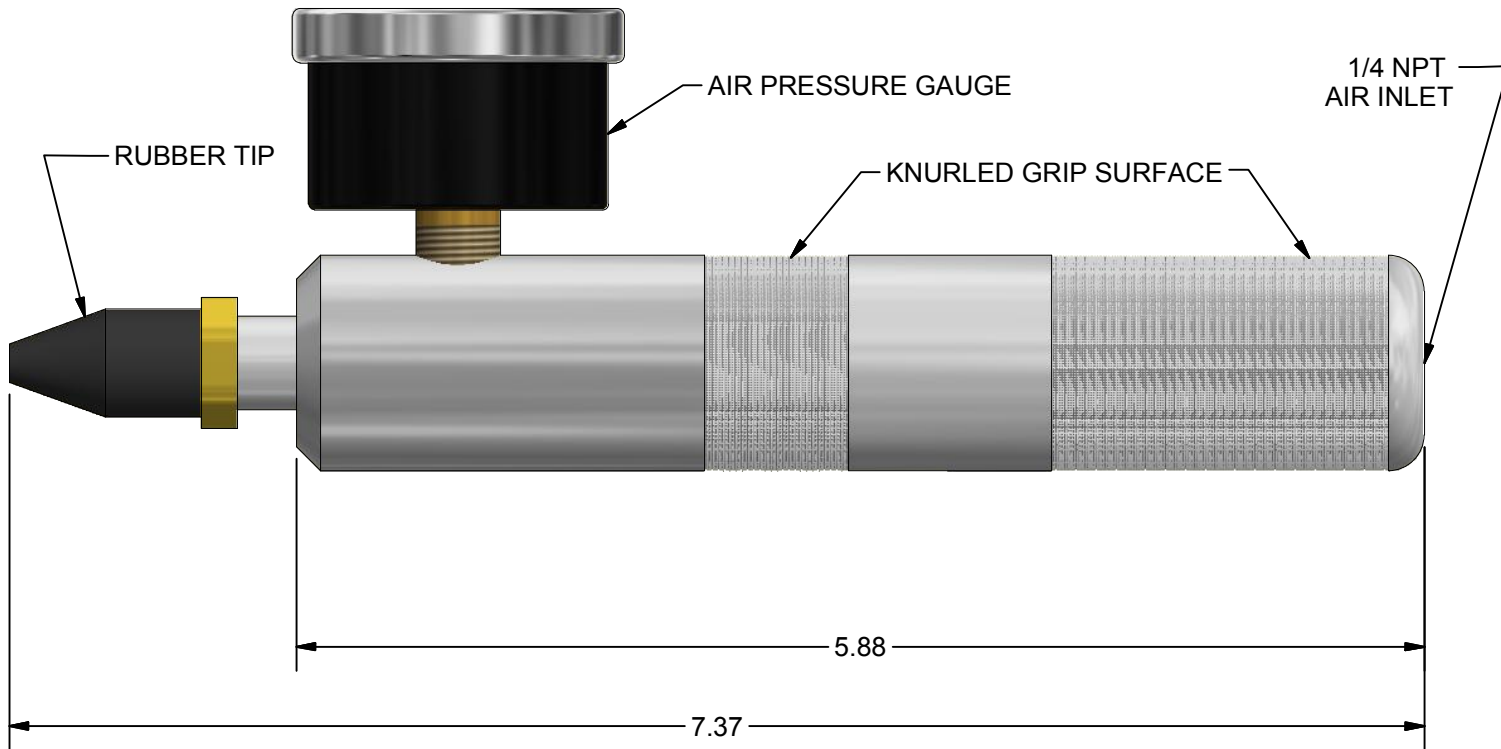


B

B



Ø1.12



7.37

THESE DRAWINGS AND SPECIFICATIONS CONTAIN INFORMATION WHICH CONVERTER ACCESSORY CORPORATION CONSIDERS PROPRIETARY AND CONFIDENTIAL. NO PORTION OF THIS DRAWING MAY BE REPRODUCED OR COPIED WITHOUT PRIOR WRITTEN PERMISSION OF CONVERTER ACCESSORY CORPORATION.

CAC CONVERTER ACCESSORY CORP.
 WIND GAP, PA 18091
 WWW.CONVERTERACCESSORY.COM

CUSTOMER: _____
 APPROVED BY: _____ DATE: _____

PART NUMBER: 35356-10C
 PART IS ALUMINUM
 OPERATING SPECIFICATIONS:
 LINE PRESSURE PSI: 60-120

NOTES:

TITLE
**PTV BLOW GUN
 WITH AIR PRESSURE GAUGE**

| | | |
|-----------|---------------------|-----------|
| SIZE A | DWG NO 18503-215 | REV |
| DATE | DRAWN MEMAST | QUOTE NO. |

2

1



A

A