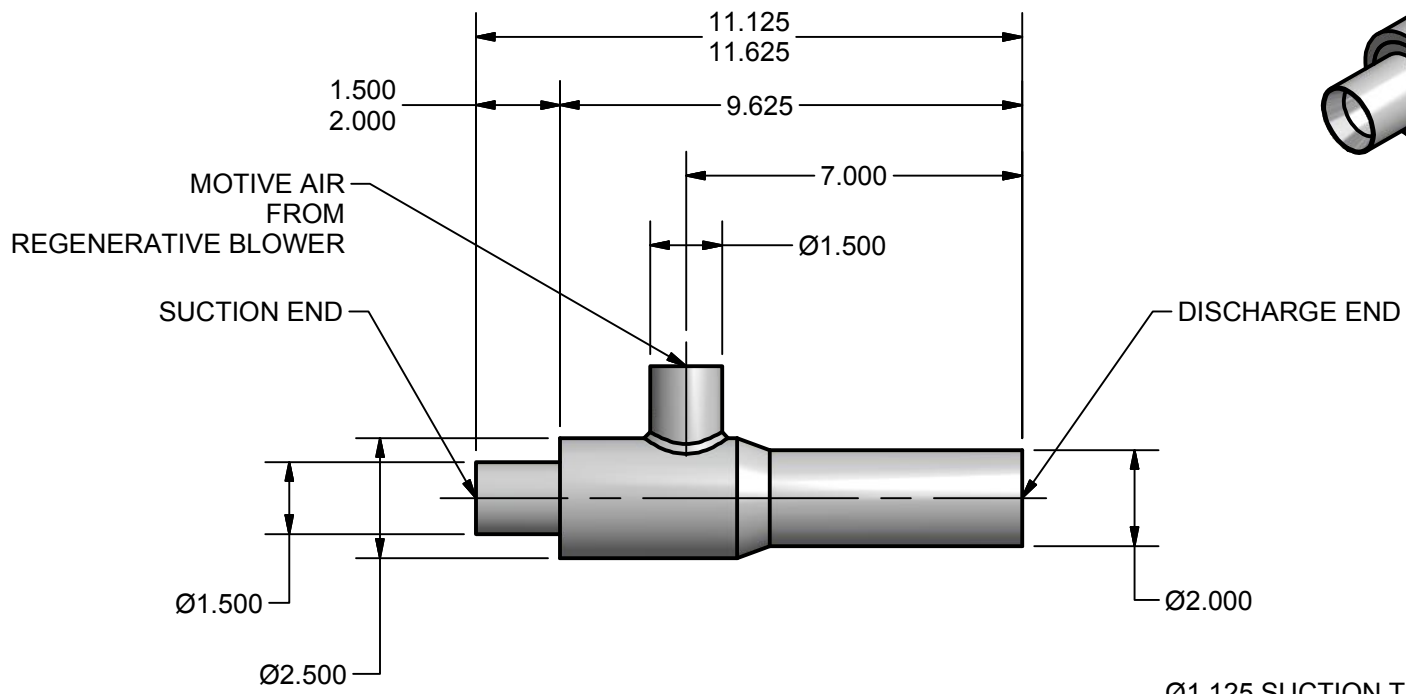
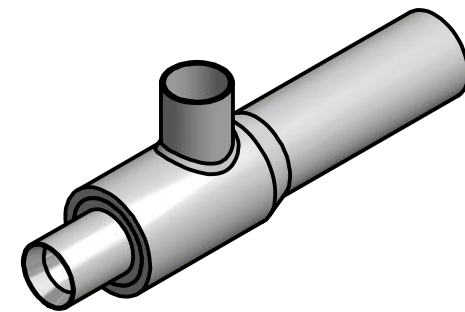


2

1



NOTE:

---



---

CUSTOMER: \_\_\_\_\_

APPROVED BY: \_\_\_\_\_ DATE: \_\_\_\_\_

**CAC** CONVERTER ACCESSORY CORP.  
 WIND GAP, PA 18091  
 WWW.CONVERTERACCESSORY.COM

TYPICAL APPLICATION IS WITH REGENERATIVE BLOWERS, .5HP-2HP

PART IS ALUMINUM CONSTRUCTION  
 PART NUMBER: 20222-14A  
 PTFE LINED AVAILABLE, P/N 20222-101  
 WEIGHT LBS/KG 2.50 / 1.10

THESE DRAWINGS AND SPECIFICATIONS CONTAIN INFORMATION WHICH CONVERTER ACCESSORY CORPORATION CONSIDERS PROPRIETARY AND CONFIDENTIAL.  
 NO PORTION OF THIS DRAWING MAY BE REPRODUCED OR COPIED WITHOUT PRIOR WRITTEN PERMISSION OF CONVERTER ACCESSORY CORPORATION.

TITLE			
FX1 VENTURI			
SIZE	DWG NO	REV	
A	18503-295	A	
DATE	DRAWN	FILE	QUOTE NO.
		MEMAST	

2

1