

2

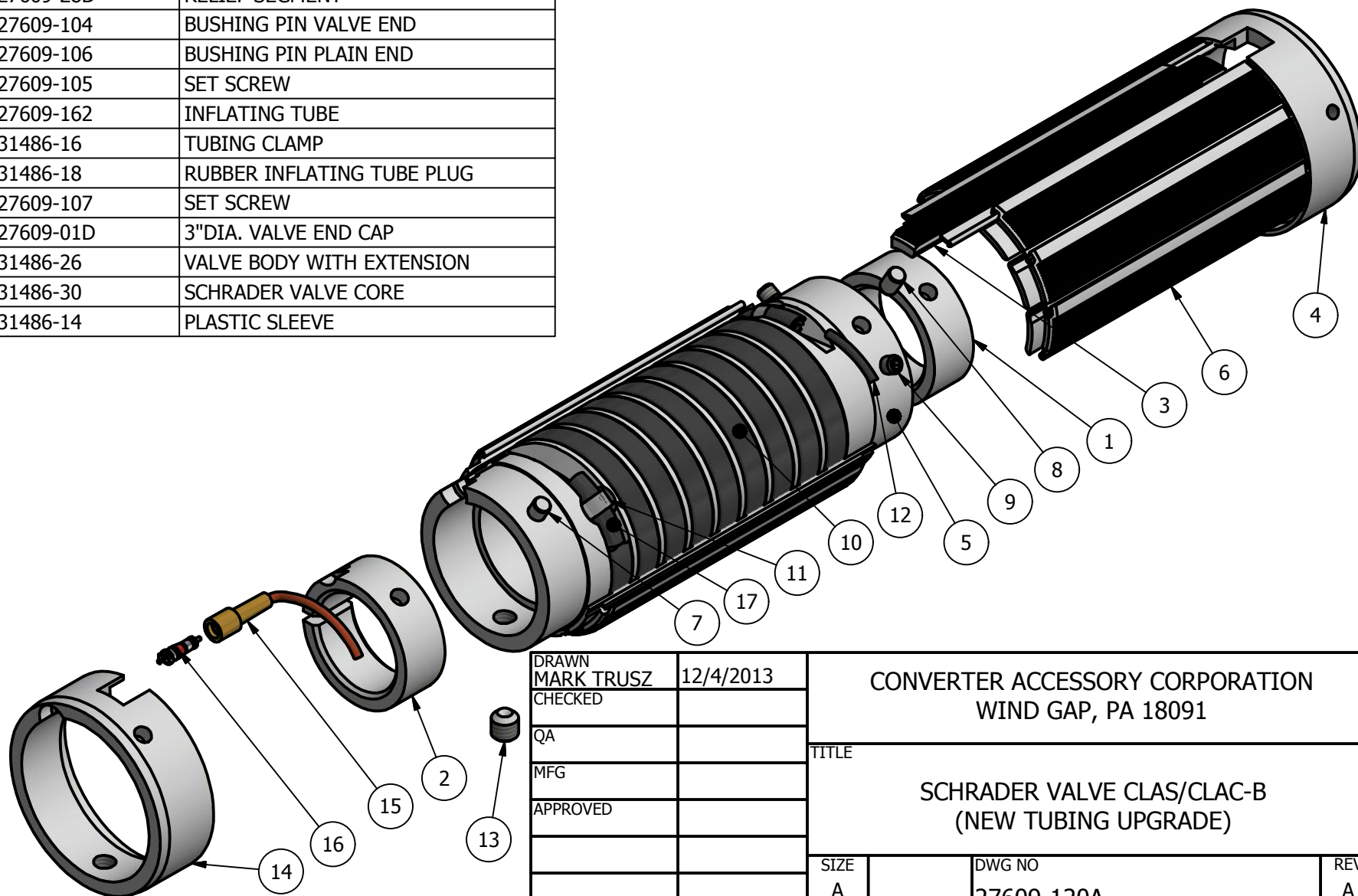
1

PARTS LIST

REVISION HISTORY

ITEM	QTY	PART NUMBER	DESCRIPTION
1	1	27609-20A	PLAIN BUSHING
2	1	27609-21A	SPLIT BUSHING
3	1	27609-29D	LOCKING SEGMENT
4	1	27609-43	3"DIA. REMOVABLE END CAP
5	1	27609-49B	3"CLAC/CLAS BODY, EPDM
6	10	27609-28D	RELIEF SEGMENT
7	1	27609-104	BUSHING PIN VALVE END
8	1	27609-106	BUSHING PIN PLAIN END
9	3	27609-105	SET SCREW
10	1	27609-162	INFLATING TUBE
11	2	31486-16	TUBING CLAMP
12	1	31486-18	RUBBER INFLATING TUBE PLUG
13	1	27609-107	SET SCREW
14	1	27609-01D	3"DIA. VALVE END CAP
15	1	31486-26	VALVE BODY WITH EXTENSION
16	1	31486-30	SCHRADER VALVE CORE
17	2	31486-14	PLASTIC SLEEVE

ZONE	REV	DESCRIPTION	DATE	APPROVED
2B	A	INFLATING TUBE PART# WAS 27609-95	5/16/2017	MJT



DRAWN	MARK TRUSZ	12/4/2013
CHECKED		
QA		
MFG		
APPROVED		

CONVERTER ACCESSORY CORPORATION WIND GAP, PA 18091		
TITLE SCHRADER VALVE CLAC/CLAC-B (NEW TUBING UPGRADE)		
SIZE A	DWG NO 27609-120A	REV A

2

1