

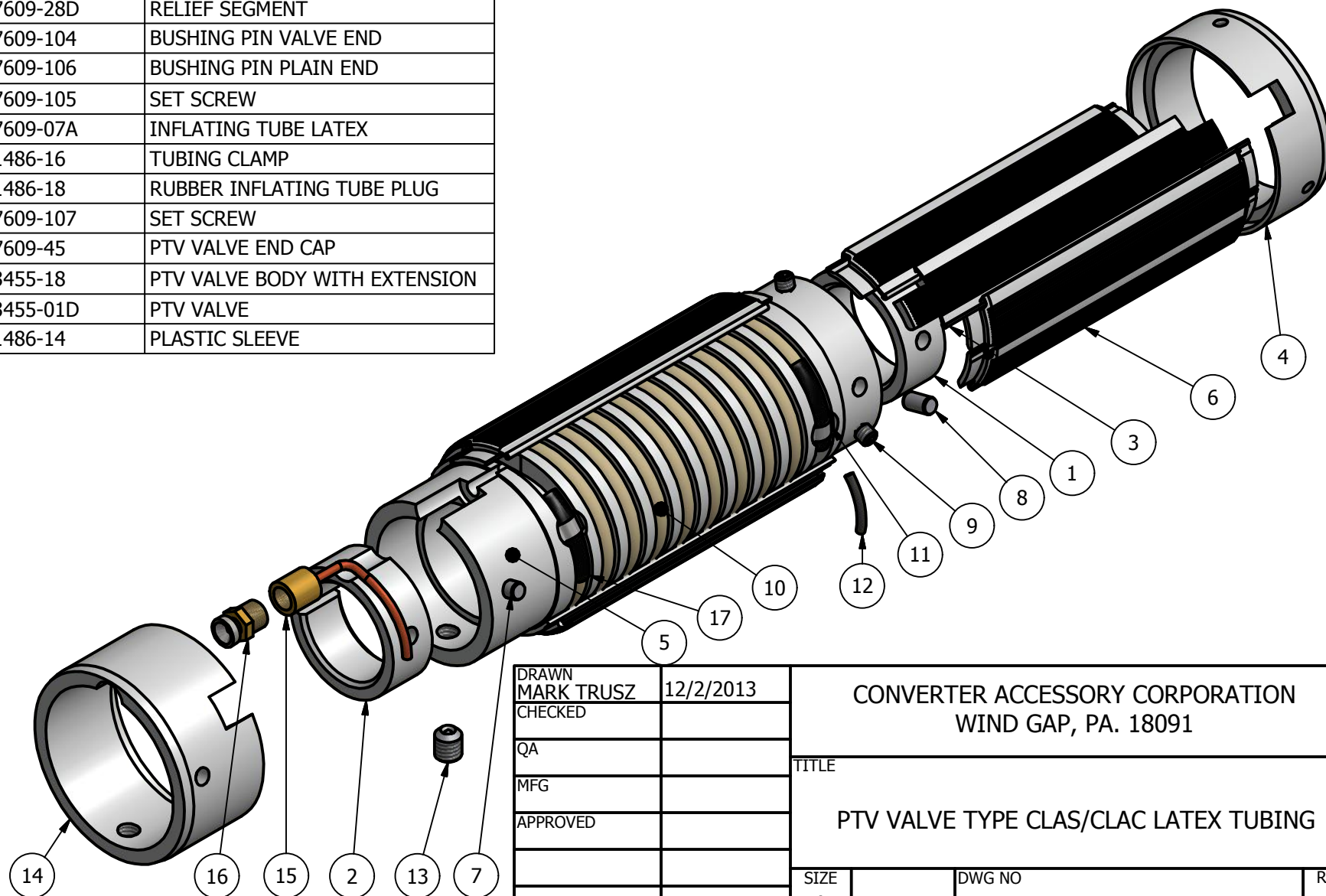
2

1

PARTS LIST

ITEM	QTY	PART NUMBER	DESCRIPTION
1	1	27609-20A	PLAIN BUSHING
2	1	27609-21A	SPLIT BUSHING
3	1	27609-29D	LOCKING SEGMENT
4	1	27609-43	3"DIA. REMOVABLE END CAP
5	1	27609-46A	3"CLAS/CLAC BODY, PTV, LATEX
6	10	27609-28D	RELIEF SEGMENT
7	1	27609-104	BUSHING PIN VALVE END
8	1	27609-106	BUSHING PIN PLAIN END
9	3	27609-105	SET SCREW
10	1	27609-07A	INFLATING TUBE LATEX
11	2	31486-16	TUBING CLAMP
12	1	31486-18	RUBBER INFLATING TUBE PLUG
13	1	27609-107	SET SCREW
14	1	27609-45	PTV VALVE END CAP
15	1	33455-18	PTV VALVE BODY WITH EXTENSION
16	1	33455-01D	PTV VALVE
17	2	31486-14	PLASTIC SLEEVE

CLICK HERE TO
ORDER PARTS



DRAWN	MARK TRUSZ	12/2/2013
CHECKED		
QA		
MFG		
APPROVED		

CONVERTER ACCESSORY CORPORATION
WIND GAP, PA. 18091

TITLE

PTV VALVE TYPE CLAS/CLAC LATEX TUBING

SIZE
ADWG NO
27609-44BREV
B

2

1