

2

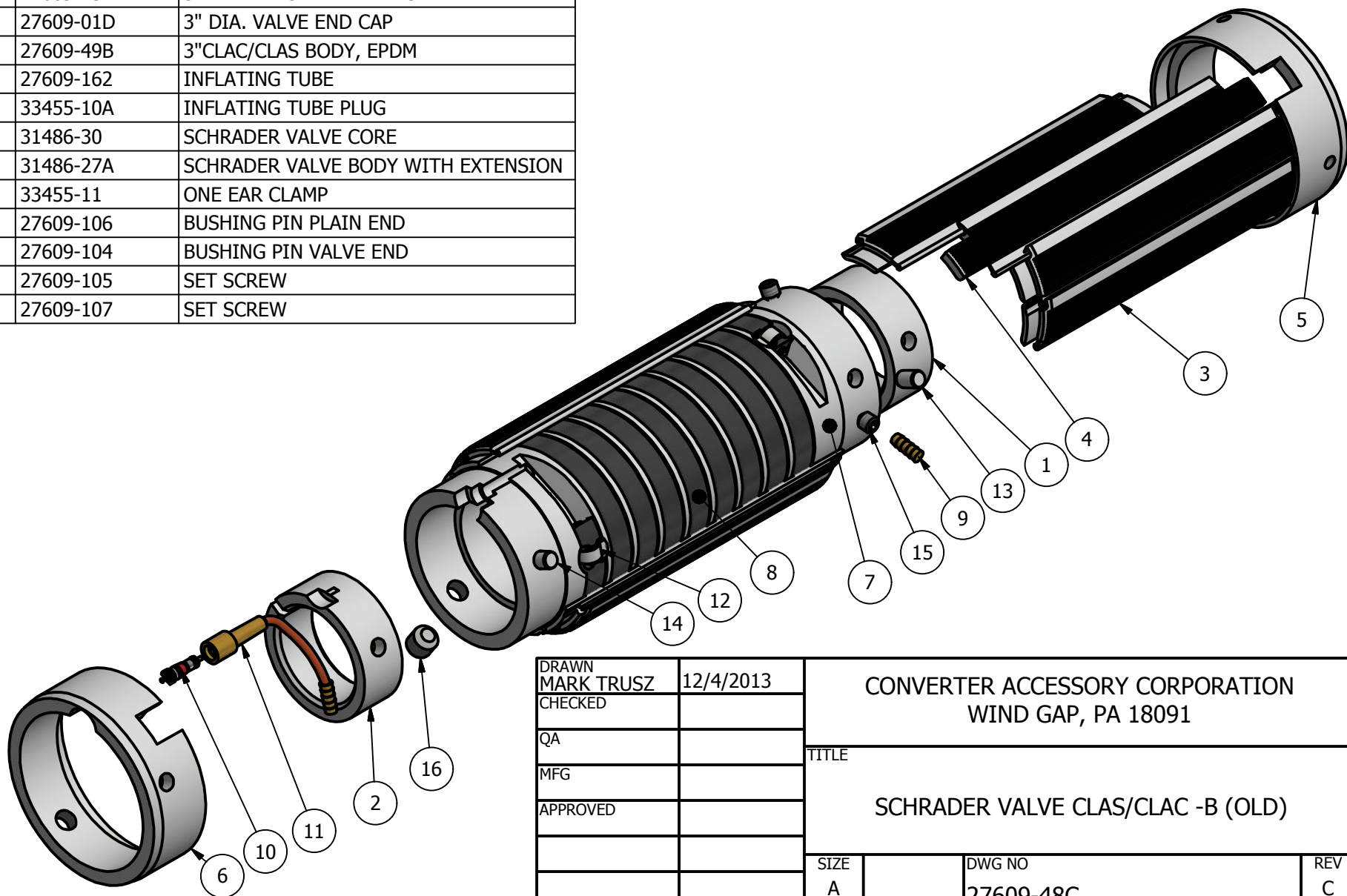
1

PARTS LIST

ITEM	QTY	PART NUMBER	DESCRIPTION
1	1	27609-20A	PLAIN BUSHING
2	1	27609-21A	SPLIT BUSHING
3	10	27609-28D	RELIEF SEGMENT
4	1	27609-29D	LOCKING SEGMENT
5	1	27609-43	3"DIA. REMOVABLE END CAP
6	1	27609-01D	3" DIA. VALVE END CAP
7	1	27609-49B	3"CLAC/CLAS BODY, EPDM
8	1	27609-162	INFLATING TUBE
9	1	33455-10A	INFLATING TUBE PLUG
10	1	31486-30	SCHRADER VALVE CORE
11	1	31486-27A	SCHRADER VALVE BODY WITH EXTENSION
12	2	33455-11	ONE EAR CLAMP
13	1	27609-106	BUSHING PIN PLAIN END
14	1	27609-104	BUSHING PIN VALVE END
15	3	27609-105	SET SCREW
16	1	27609-107	SET SCREW

REVISION HISTORY

ZONE	REV	DESCRIPTION	DATE	APPROVED
2B	C	INFLATING TUBE PART# WAS 27609-09C	5/16/2017	MJT



DRAWN	MARK TRUSZ	12/4/2013
CHECKED		
QA		
MFG		
APPROVED		

CONVERTER ACCESSORY CORPORATION WIND GAP, PA 18091		
TITLE SCHRADER VALVE CLAS/CLAC - B (OLD)		
SIZE A	DWG NO 27609-48C	REV C

2

1