

2

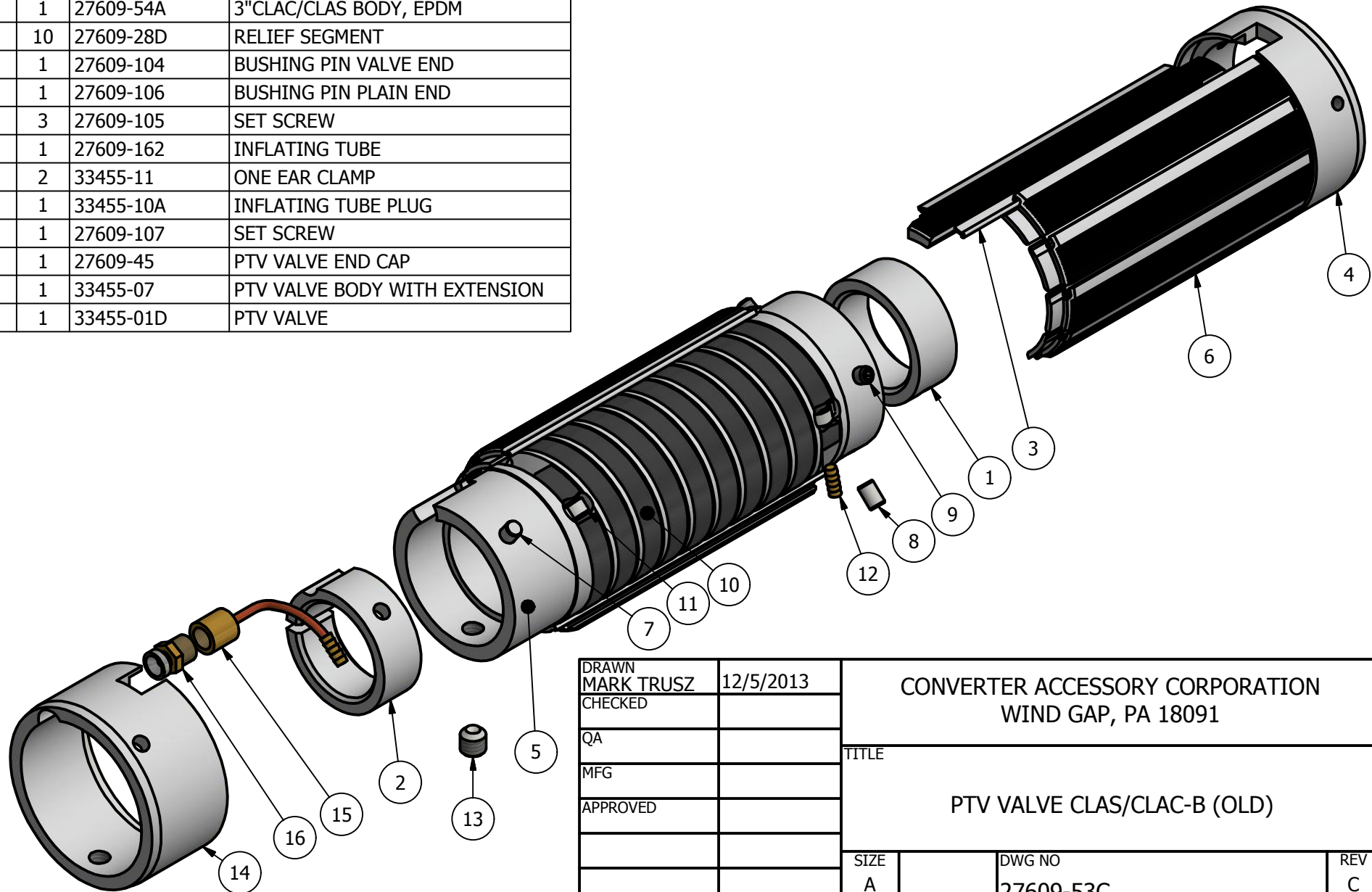
1

PARTS LIST			
ITEM	QTY	PART NUMBER	DESCRIPTION
1	1	27609-20A	PLAIN BUSHING
2	1	27609-21A	SPLIT BUSHING
3	1	27609-29D	LOCKING SEGMENT
4	1	27609-43	3"DIA. REMOVABLE END CAP
5	1	27609-54A	3"CLAC/CLAS BODY, EPDM
6	10	27609-28D	RELIEF SEGMENT
7	1	27609-104	BUSHING PIN VALVE END
8	1	27609-106	BUSHING PIN PLAIN END
9	3	27609-105	SET SCREW
10	1	27609-162	INFLATING TUBE
11	2	33455-11	ONE EAR CLAMP
12	1	33455-10A	INFLATING TUBE PLUG
13	1	27609-107	SET SCREW
14	1	27609-45	PTV VALVE END CAP
15	1	33455-07	PTV VALVE BODY WITH EXTENSION
16	1	33455-01D	PTV VALVE

REVISION HISTORY				
ZONE	REV	DESCRIPTION	DATE	APPROVED
2B	C	INFLATING TUBE PART# WAS 27609-09C	5/16/17	MJT

B

B



A

A

DRAWN MARK TRUSZ CHECKED QA MFG APPROVED	12/5/2013 	CONVERTER ACCESSORY CORPORATION WIND GAP, PA 18091	
		TITLE PTV VALVE CLAS/CLAC-B (OLD)	
SIZE A	DWG NO 27609-53C	REV C	

2

1