

2

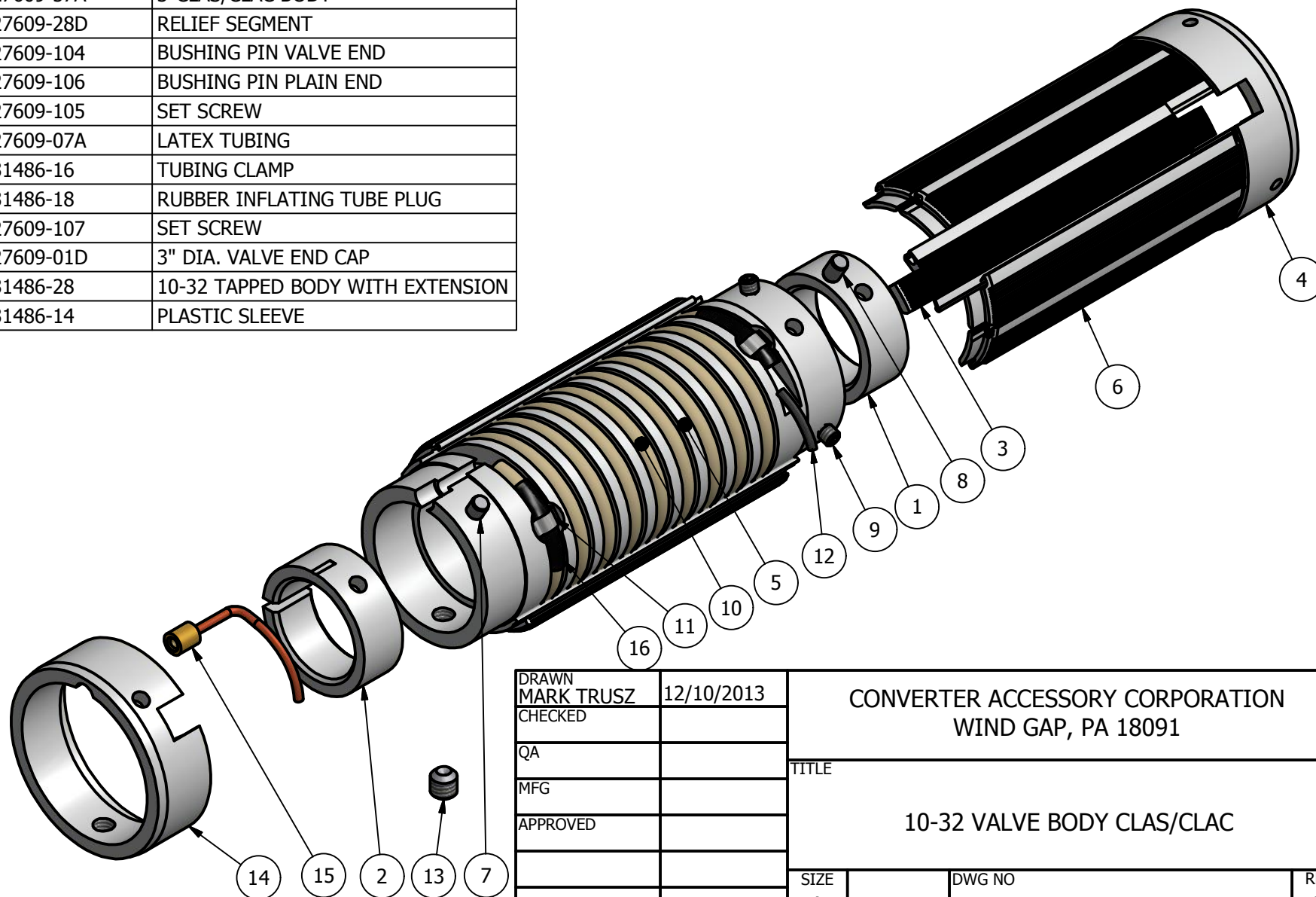


1

PARTS LIST

| ITEM | QTY | PART NUMBER | DESCRIPTION |
|------|-----|-------------|----------------------------------|
| 1 | 1 | 27609-20A | PLAIN BUSHING |
| 2 | 1 | 27609-21A | SPLIT BUSHING |
| 3 | 1 | 27609-29D | LOCKING SEGMENT |
| 4 | 1 | 27609-43 | 3"DIA. REMOVABLE END CAP |
| 5 | 1 | 27609-57A | 3"CLAS/CLAC BODY |
| 6 | 10 | 27609-28D | RELIEF SEGMENT |
| 7 | 1 | 27609-104 | BUSHING PIN VALVE END |
| 8 | 1 | 27609-106 | BUSHING PIN PLAIN END |
| 9 | 3 | 27609-105 | SET SCREW |
| 10 | 1 | 27609-07A | LATEX TUBING |
| 11 | 2 | 31486-16 | TUBING CLAMP |
| 12 | 1 | 31486-18 | RUBBER INFLATING TUBE PLUG |
| 13 | 1 | 27609-107 | SET SCREW |
| 14 | 1 | 27609-01D | 3" DIA. VALVE END CAP |
| 15 | 1 | 31486-28 | 10-32 TAPPED BODY WITH EXTENSION |
| 16 | 2 | 31486-14 | PLASTIC SLEEVE |

CLICK HERE TO
ORDER PARTS



| | | |
|----------|------------|------------|
| DRAWN | MARK TRUSZ | 12/10/2013 |
| CHECKED | | |
| QA | | |
| MFG | | |
| APPROVED | | |
| | | |
| | | |

CONVERTER ACCESSORY CORPORATION
WIND GAP, PA 18091

TITLE

10-32 VALVE BODY CLAS/CLAC

SIZE
A

DWG NO
27609-65B

REV
B

2



1