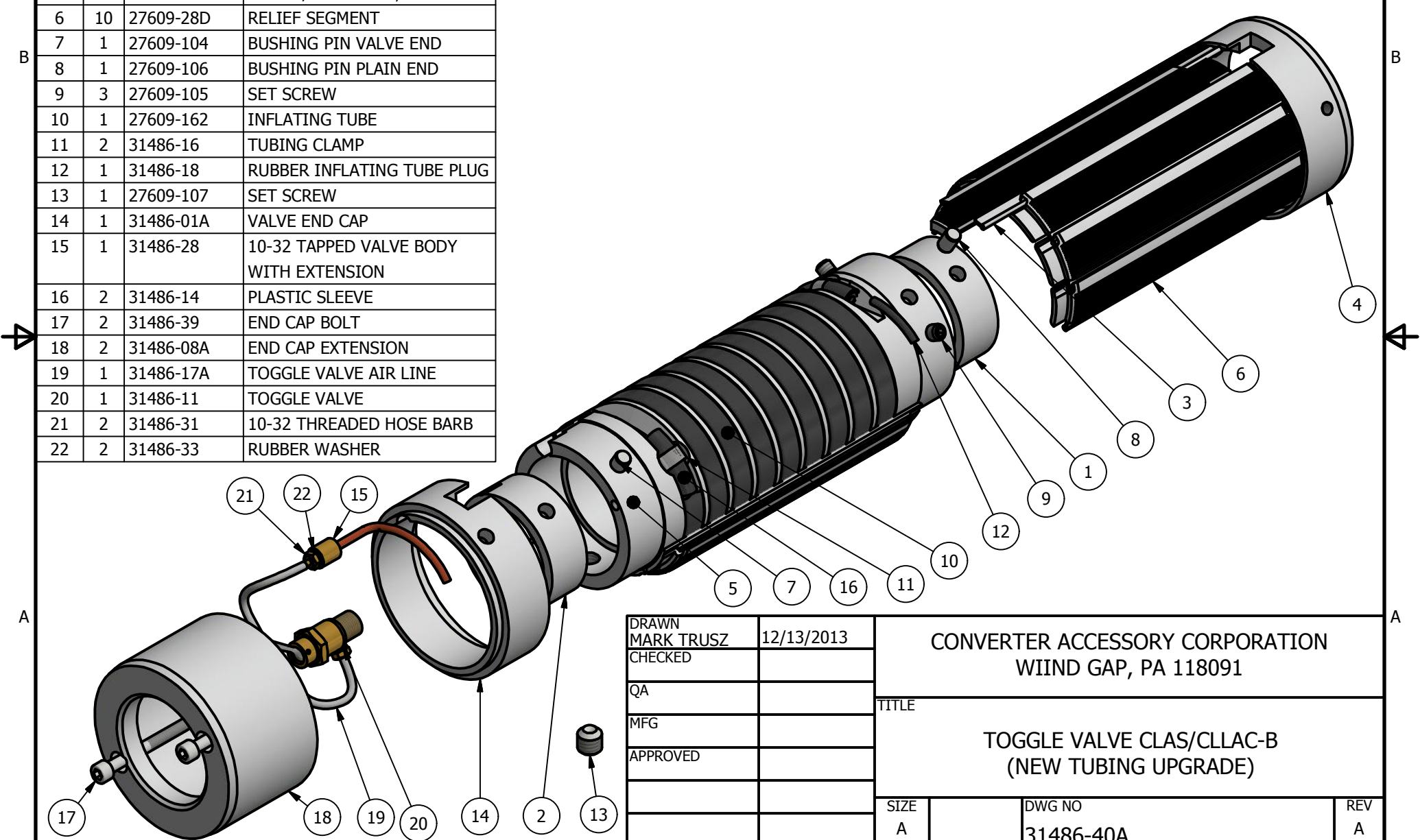


2

1

PARTS LIST			
ITEM	QTY	PART NUMBER	DESCRIPTION
1	1	27609-20A	SOLID BUSHING
2	1	27609-21A	SPLIT BUSHING
3	1	27609-29D	LOCKING SEGMENT
4	1	27609-43	3"DIA. REMOVABLE END CAP
5	1	27609-49B	3"CLAC/CLAS BODY, EPDM
6	10	27609-28D	RELIEF SEGMENT
7	1	27609-104	BUSHING PIN VALVE END
8	1	27609-106	BUSHING PIN PLAIN END
9	3	27609-105	SET SCREW
10	1	27609-162	INFLATING TUBE
11	2	31486-16	TUBING CLAMP
12	1	31486-18	RUBBER INFLATING TUBE PLUG
13	1	27609-107	SET SCREW
14	1	31486-01A	VALVE END CAP
15	1	31486-28	10-32 TAPPED VALVE BODY WITH EXTENSION
16	2	31486-14	PLASTIC SLEEVE
17	2	31486-39	END CAP BOLT
18	2	31486-08A	END CAP EXTENSION
19	1	31486-17A	TOGGLE VALVE AIR LINE
20	1	31486-11	TOGGLE VALVE
21	2	31486-31	10-32 THREADED HOSE BARB
22	2	31486-33	RUBBER WASHER

REVISION HISTORY				
ZONE	REV	DESCRIPTION	DATE	APPROVED
2B	A	INFLATING TUBE PART# WAS 27609-95	5/16/17	MJT



DRAWN MARK TRUSZ CHECKED QA MFG APPROVED	12/13/2013 	CONVERTER ACCESSORY CORPORATION WIIND GAP, PA 118091	
		TITLE TOGGLE VALVE CLAC/CLAC-B (NEW TUBING UPGRADE)	
SIZE A	DWG NO 31486-40A	REV A	

2

1